

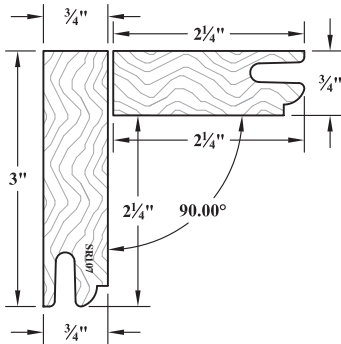
# Corner Options

*"Need a different locking joint, ask about our non-catalog options."*

## Butt Joint for Lazy Susan Doors

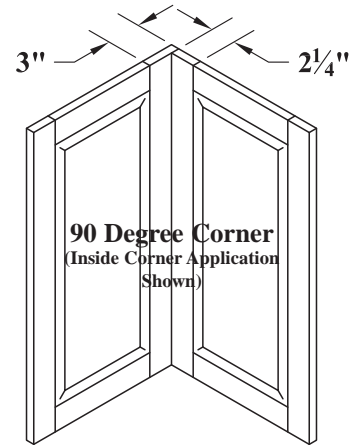
★ **Butt Joint For Lazy Susan:** Add the Charge for each wide Stile (non-std part size) and for each Butt Edge. ★

### Butt Joint



With this method of application, one of the two lazy susan doors must be ordered with a wide (3") stile and a butt edge on the edge that goes into the corner. The other door is ordered with a normal width (2 1/4") stile and a butt edge on the edge that attaches to the other door.

This method allows you to join the two doors with a continuous hinge or screws.



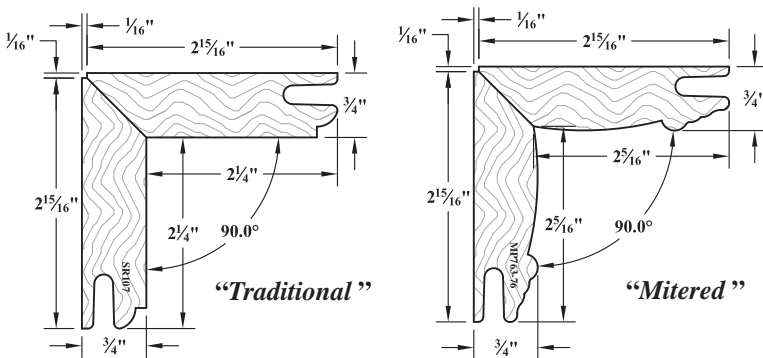
## 45 Degree Miter Cut

★ **45 Degree Miter Cut:** Add the Charge per Lineal Inch for each 45 degree Miter Cut, each wide Stile (non-standard part size) and for each Butt Edge. ★

Two doors can be mitered at 45 degrees to make a 90 degree corner when you assemble them.

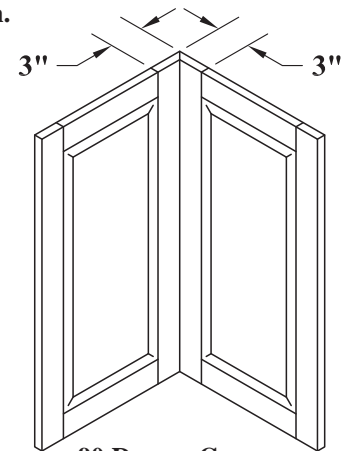
- When ordering a 45 degree **inside corner** miter cut, it is recommended that you order each door with a 3" stile on the mitered side to give a more balanced look. A 3" stile on the mitered side is only available with "Traditional" stile and rail profiles.
- An **outside corner** miter does not require the stile to have a non-standard part size, because the material is taken off the back side.
- A butt edge is needed on "Traditional" doors to apply an inside or outside 45 degree mitered edge.

45 degree miter cuts are also available for miter profile doors with stiles and rails 2 1/4" and wider. Please keep in mind that adding a miter cut will change the visual appearance of the inside parts. See the "mitered" drawing below based on a door with 3" stile and rails. An alternative assembly option would be the use of our Lazy Susan Molding #1345 which can be found in our Specification Catalog.



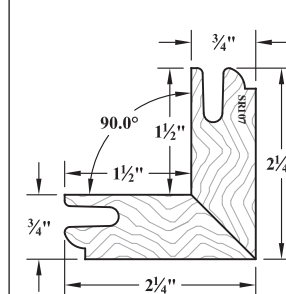
### Inside Corner

Please note that all doors with the 45° inside corner miter option will have a small 1/16" x 1/16" void at the rear of the door. This will cause your door to come to you 1/16" smaller than the size you ordered. Once assembled, the doors will be the correct size because the inside corners will match up. **Order both doors as Miscellaneous Joinery Option MJ5, shown in Face Frame Products.**



**90 Degree Corner**  
(Inside Corner Application Shown)

### Outside Corner



The 45° outside corner miter option can be used in applications where a door or wainscot panel needs to cover an area requiring a 90 degree corner. *This option also works great for customizing fluted moldings to create a column.* **Order both doors as Miscellaneous Joinery Option MJ3, shown in Face Frame Products.**



WalzCraft.com



(Phone) 1-800-237-1326 7:00AM - 4:30PM CST (24 Hour Fax) 1-608-781-3667