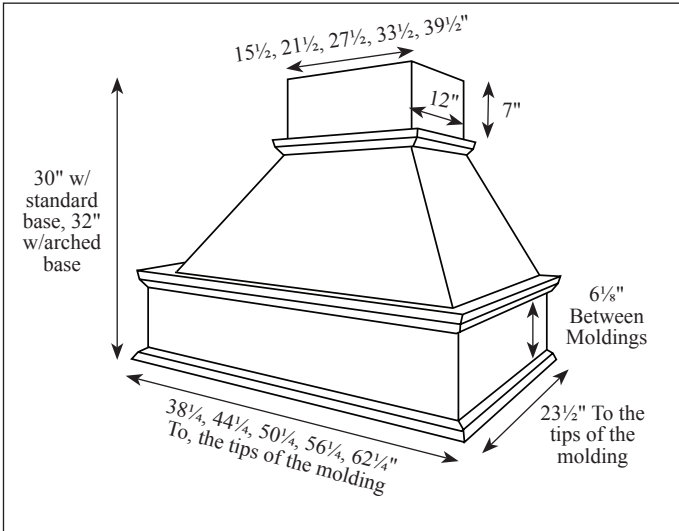


"More design options from WalzCraft!"

Range Hoods

G-Series Range Hoods



G-Series Range Hood Notes

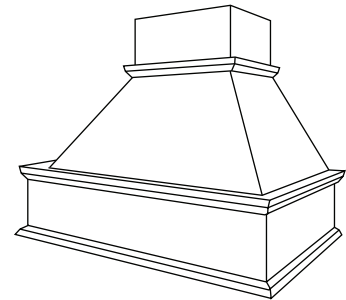
1)	Availability	G-Series Range Hoods are available in standard widths and fit up to a 60" cook top.
		Custom widths, depths and heights are available.
2)	Ceiling Height	The standard hood accommodates an 8 foot ceiling, although the chimney can be trimmed. <i>(Additional charges apply for extended chimney heights.)</i>
3)	Removable Access Panel	Available for an additional charge.
4)	Moldings	Base and Chimney Moldings come standard. See Range Hood Molding Options .
5)	Accent Components	Accent Components must be ordered separately and are not included in the price of the Range Hood.

When ordering, the following information should also be included on your order form:

- 1) Removable Access Panel option.
- 2) Any Accent Components being used as accessories.

Wood Species	G-Series Part Number				
	G-3630	G-4230	G-4830	G-5430	G-6030
Alder-Natural	Contact WalzCraft "Customer Support" for pricing or complete our Catalog Request Form to receive our latest "Master" Product Specifications & Wholesale Pricing Catalog.				
Alder-Rustic					
Beech-European-Steamed-Natural					
Birch-Natural					
Cherry-Natural					
Hickory-Natural					
Mahogany-African					
Maple-Hard-Natural					
Oak-Red-Natural					
Oak-White-QS-Natural					
Sq. Ft. for Finishing	38	41	45	49	53

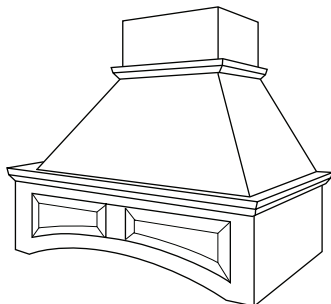
* Add 2 1/4" to the width listed for the overall width of the hood, measured tip to tip of the applied decorative molding.



G-Series Standard Hood

When ordering, the following information should also be included on your order form:

- 1) Removable Access Panel option.
- 2) Any Accent Components being used as accessories.



G-Series Raised Panel Hood

Wood Species	G-Series Part Number				
	GRA-3632	GRA-4232	GRA-4832	GRA-5432	GRA-6032
Alder-Natural	Contact WalzCraft "Customer Support" for pricing or complete our Catalog Request Form to receive our latest "Master" Product Specifications & Wholesale Pricing Catalog.				
Alder-Rustic					
Beech-European-Steamed-Natural					
Birch-Natural					
Cherry-Natural					
Hickory-Natural					
Mahogany-African					
Maple-Hard-Natural					
Oak-Red-Natural					
Oak-White-QS-Natural					
Sq. Ft. for Finishing	40	44	48	52	56

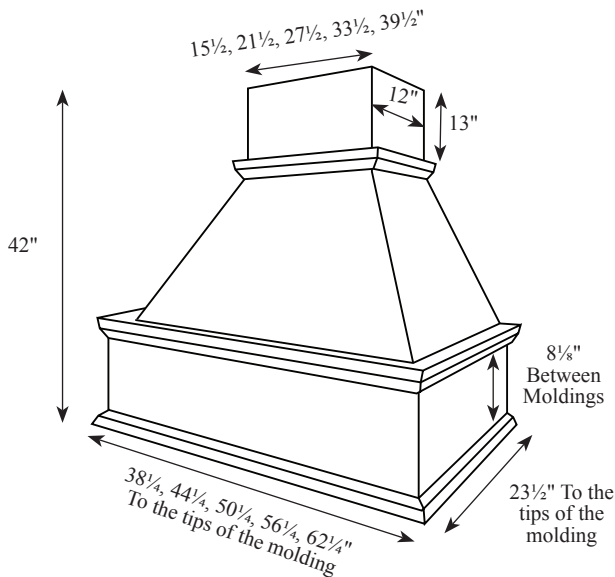
* Add 2 1/4" to the width listed for the overall width of the hood, measured tip to tip of the applied decorative molding.

The installation of Range Hood and Liner Ventilation Systems are subject to local building code construction guidelines. It is your responsibility to ensure that the Range Hood, Liner and Ventilator do meet your local building code standards.

Range Hoods

"WalzCraft is a Premier Leader in the Industry for Manufacturing Custom Products!"

T-Series Range Hoods



T-Series Range Hood Notes

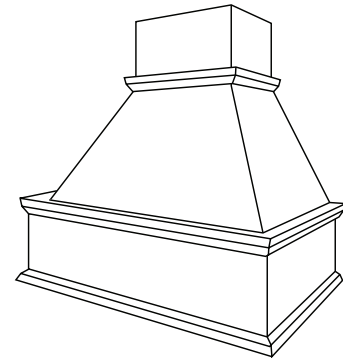
1)	Availability	T-Series Range Hoods are available in standard widths and fit up to a 60" cook top.
		Custom widths, depths and heights are available.
2)	Ceiling Height	The standard hood accommodates an 9 foot ceiling, although the chimney can be trimmed. <i>(Additional charges apply for extended chimney heights.)</i>
3)	Removable Access Panel	Available for an additional charge.
4)	Moldings	Base and Chimney Moldings come standard. See Range Hood Molding Options .
5)	Accent Components	Accent Components must be ordered separately and are not included in the price of the Range Hood.

When ordering, the following information should also be included on your order form:

- 1) Removable Access Panel option.
- 2) Any Accent Components being used as accessories.

Wood Species	T-Series Part Number				
	T-3642	T-4242	T-4842	T-5442	T-6042
Alder-Natural	Contact WalzCraft "Customer Support" for pricing or complete our Catalog Request Form to receive our latest "Master" Product Specifications & Wholesale Pricing Catalog.				
Alder-Rustic					
Beech-European-Steamed-Natural					
Birch-Natural					
Cherry-Natural					
Hickory-Natural					
Mahogany-African					
Maple-Hard-Natural					
Oak-Red-Natural					
Oak-White-QS-Natural					
Sq. Ft. for Finishing	44	48	53	57	61

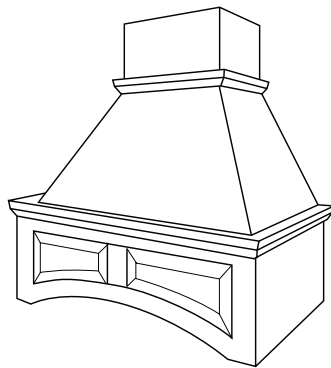
* Add 2 1/4" to the width listed for the overall width of the hood, measured tip to tip of the applied decorative molding.



T-Series Standard Hood

When ordering, the following information should also be included on your order form:

- 1) Removable Access Panel option.
- 2) Any Accent Components being used as accessories.



T-Series Raised Panel Hood

Wood Species	T-Series Part Number				
	TRA-3642	TRA-4242	TRA-4842	TRA-5442	TRA-6042
Alder-Natural	Contact WalzCraft "Customer Support" for pricing or complete our Catalog Request Form to receive our latest "Master" Product Specifications & Wholesale Pricing Catalog.				
Alder-Rustic					
Beech-European-Steamed-Natural					
Birch-Natural					
Cherry-Natural					
Hickory-Natural					
Mahogany-African					
Maple-Hard-Natural					
Oak-Red-Natural					
Oak-White-QS-Natural					
Sq. Ft. for Finishing	44	48	53	57	61

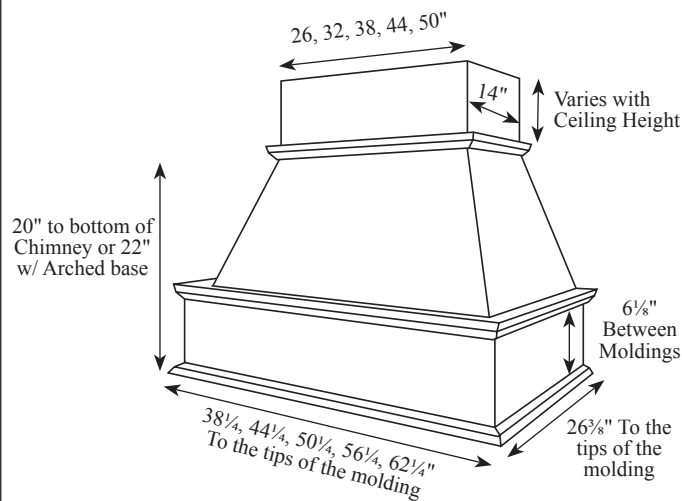
* Add 2 1/4" to the width listed for the overall width of the hood, measured tip to tip of the applied decorative molding.

The installation of Range Hood and Liner Ventilation Systems are subject to local building code construction guidelines. It is your responsibility to ensure that the Range Hood, Liner and Ventilator do meet your local building code standards.

Range Hoods

"Please contact Customer Support for assistance with this product line!"

I-Series Range Hoods (Island/Ceiling Mount)



I-Series Range Hood Notes

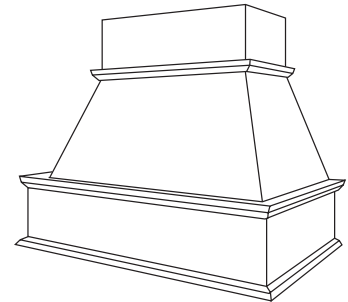
1)	Availability	I-Series Range Hoods are available in standard widths and fit up to a 60" cook top.
		Island hoods should be 6" wider than the cooking surface, if possible. Custom widths, depths and heights are available.
2)	Ceiling Height	The hood design allows for differing chimney heights to accommodate all standard ceiling heights.
3)	Removable Access Panel	Available for an additional charge.
4)	Moldings	Base and Chimney Moldings come standard. See <i>Range Hood Molding Options</i> .
5)	Accent Components	Accent Components must be ordered separately and are not included in the price of the Range Hood.

When ordering, the following information should also be included on your order form:

- 1) Removable Access Panel option.
- 2) Any Accent Components being used as accessories.
- 3) Ceiling Height must be provided.

Wood Species	I-Series Part Number				
	I-36	I-42	I-48	I-54	I-60
Alder-Natural	Contact WalzCraft "Customer Support" for pricing or complete our Catalog Request Form to receive our latest "Master" Product Specifications & Wholesale Pricing Catalog.				
Alder-Rustic					
Beech-European-Steamed-Natural					
Birch-Natural					
Cherry-Natural					
Hickory-Natural					
Mahogany-African					
Maple-Hard-Natural					
Oak-Red-Natural					
Oak-White-QS-Natural					
Sq. Ft. for Finishing	38	41	45	49	53

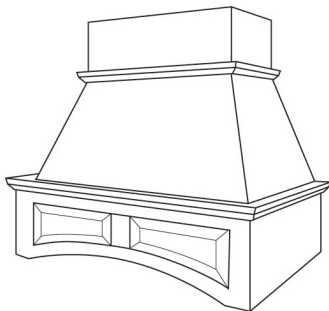
* Add 2 1/4" to the width listed for the overall width of the hood, measured tip to tip of the applied decorative molding.



I-Series Standard Hood

When ordering, the following information should also be included on your order form:

- 1) Removable Access Panel option.
- 2) Any Accent Components being used as accessories.
- 3) Ceiling Height must be provided.



I-Series Raised Panel Hood

Wood Species	I-Series Part Number				
	IRA-36	IRA-42	IRA-48	IRA-54	IRA-60
Alder-Natural	Contact WalzCraft "Customer Support" for pricing or complete our Catalog Request Form to receive our latest "Master" Product Specifications & Wholesale Pricing Catalog.				
Alder-Rustic					
Beech-European-Steamed-Natural					
Birch-Natural					
Cherry-Natural					
Hickory-Natural					
Mahogany-African					
Maple-Hard-Natural					
Oak-Red-Natural					
Oak-White-QS-Natural					
Sq. Ft. for Finishing	38	41	45	49	53

* Add 2 1/4" to the width listed for the overall width of the hood, measured tip to tip of the applied decorative molding.

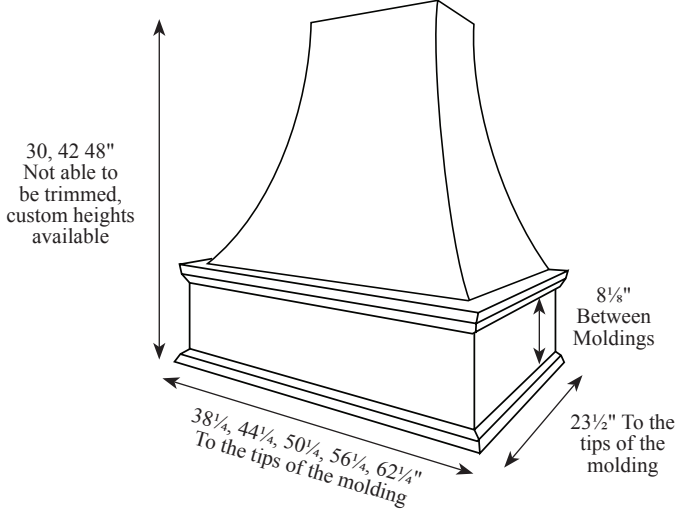
The installation of Range Hood and Liner Ventilation Systems are subject to local building code construction guidelines. It is your responsibility to ensure that the Range Hood, Liner and Ventilator do meet your local building code standards.

Range Hoods

"Every door you'll ever need, from one reliable supplier, WalzCraft."

E-Series Range Hoods

E-Series Standard Hood



E-Series Range Hood Notes

1)	Availability	E-Series Range Hoods are available in standard widths and fit up to a 60" cook top. Custom widths, depths and heights are available.
2)	Standard Height	Available in three standard heights: 30, 42 and 48". The hood should not be trimmed in the field.
4)	Moldings	Base and Chimney Moldings come standard. See <i>Range Hood Molding Options</i> .
5)	Accent Components	Accent Components must be ordered separately and are not included in the price of the Range Hood.

When ordering, the following information should also be included on your order form:

- 1) Any Accent Components being used as accessories.

Wood Species	E-Series Part Number														
	E-3630	E-4230	E-4830	E-5430	E-6030	E-3642	E-4242	E-4842	E-5442	E-6042	E-3648	E-4248	E-4848	E-5448	E-6048
Alder-Natural															
Alder-Rustic															
Beech-European-Steamed-Natural															
Birch-Natural															
Cherry-Natural															
Hickory-Natural															
Mahogany-African															
Maple-Hard-Natural															
Oak-Red-Natural															
Oak-White-QS-Natural															
Sq. Ft. for Finishing	38	41	45	49	53	44	48	53	57	61	50	55	60	65	70

* Add 2 1/4" to the width listed for the overall width of the hood, measured tip to tip of the applied decorative molding.

Contact WalzCraft
"Customer Support"
for pricing or complete our
[Catalog Request Form](#)
to receive our latest
"Master" Product Specifications
& Wholesale Pricing Catalog.

Wood Species

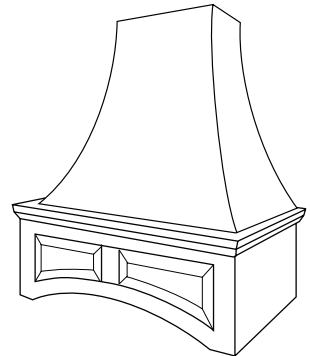
E-Series Part Number

Wood Species	ERA-3630	ERA-4230	ERA-4830	ERA-5430	ERA-6030	ERA-3642	ERA-4242	ERA-4842
Alder-Natural								
Alder-Rustic								
Beech-European-Steamed-Natural								
Birch-Natural								
Cherry-Natural								
Hickory-Natural								
Mahogany-African								
Maple-Hard-Natural								
Oak-Red-Natural								
Oak-White-QS-Natural								
Sq. Ft. for Finishing	38	41	45	49	53	44	48	53

* Add 2 1/4" to the width listed for the overall width of the hood, measured tip to tip of the applied decorative molding.

When ordering, the following information should also be included on your order form:

- 1) Any Accent Components being used as accessories.



E-Series Raised Panel Hood

Wood Species

E-Series Part Number

Wood Species	ERA-5442	ERA-6042	ERA-3648	ERA-4248	ERA-4848	ERA-5448	ERA-6048
Alder-Natural							
Alder-Rustic							
Beech-European-Steamed-Natural							
Birch-Natural							
Cherry-Natural							
Hickory-Natural							
Mahogany-African							
Maple-Hard-Natural							
Oak-Red-Natural							
Oak-White-QS-Natural							
Sq. Ft. for Finishing	57	61	50	55	60	65	70

* Add 2 1/4" to the width listed for the overall width of the hood, measured tip to tip of the applied decorative molding.

Contact WalzCraft
"Customer Support"
for pricing or complete our
[Catalog Request Form](#)
to receive our latest
"Master" Product Specifications
& Wholesale Pricing Catalog.

The installation of Range Hood and Liner Ventilation Systems are subject to local building code construction guidelines. It is your responsibility to ensure that the Range Hood, Liner and Ventilator do meet your local building code standards.



WalzCraft®



(Phone 7:00AM - 4:30PM CST) 1-800-237-1326

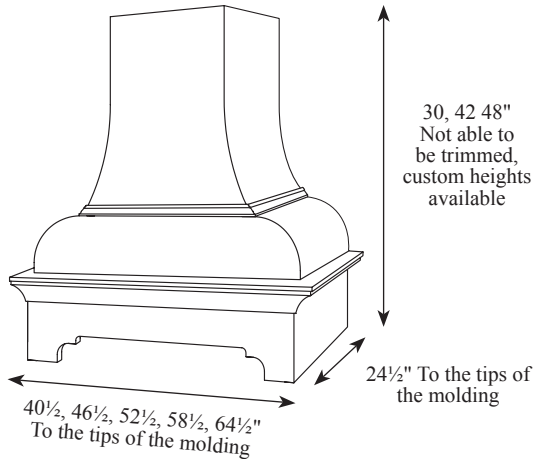
(24 Hour Fax) 1-608-781-3667

Range Hoods

"WalzCraft can stain and glaze your doors!"

D-Series Range Hood

D-Series Standard Hood



D-Series Range Hood Notes

1)	Availability	D-Series Range Hoods are available in standard widths and fit up to a 60" cook top.
		Custom widths, depths and heights are available.
2)	Standard Height	Available in three standard heights: 30", 42" and 48". The hood should not be trimmed in the field.
4)	Moldings	Base and Chimney Moldings come standard. See <i>Range Hood Molding Options</i> .
5)	Accent Components	Accent Components must be ordered separately and are not included in the price of the Range Hood.

When ordering, the following information should also be included on your order form:

- 1) Any Accent Components being used as accessories.

Wood Species	D-Series Part Number														
	DDP1-3630	DDP1-4230	DDP1-4830	DDP1-5430	DDP1-6030	DDP1-3642	DDP1-4242	DDP1-4842	DDP1-5442	DDP1-6042	DDP1-3648	DDP1-4248	DDP1-4848	DDP1-5448	DDP1-6048
Alder-Natural															
Alder-Rustic															
Beech-European-Steamed-Natural															
Birch-Natural															
Cherry-Natural															
Hickory-Natural															
Mahogany-African															
Maple-Hard-Natural															
Oak-Red-Natural															
Oak-White-QS-Natural															
Sq. Ft. for Finishing	38	41	45	49	53	53	58	63	68	74	60	66	72	78	84

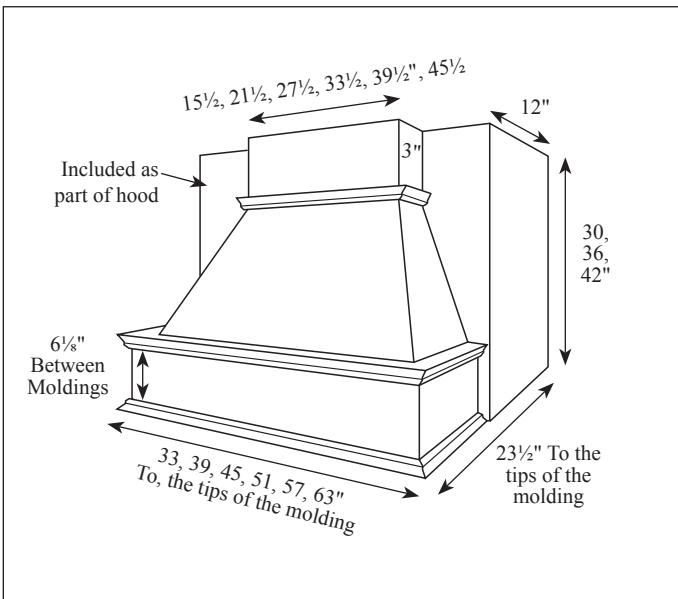
Contact WalzCraft
"Customer Support"
for pricing or complete our
[Catalog Request Form](#)
to receive our latest
"Master" Product Specifications
& Wholesale Pricing Catalog.

* Add 4½" to the width listed for the overall width of the hood, measured tip to tip of the applied decorative molding.

J-Series Range Hoods

J-Series Range Hood Notes

1)	Availability	J-Series Range Hoods are available in standard widths and fit up to a 60" cook top.
		The hood must be 3" wider than the range. Custom widths, depths and heights are available.
2)	Hood Liner	Order the hood liner smaller than the hood for a proper fit, ie: 39" hoods get 36" liners.
3)	Removable Access Panel	Available for an additional charge.
4)	Moldings	Base and Chimney Moldings come standard. See <i>Range Hood Molding Options</i> .
5)	Accent Components	Accent Components must be ordered separately and are not included in the price of the Range Hood.



The installation of Range Hood and Liner Ventilation Systems are subject to local building code construction guidelines. It is your responsibility to ensure that the Range Hood, Liner and Ventilator do meet your local building code standards.

Range Hoods

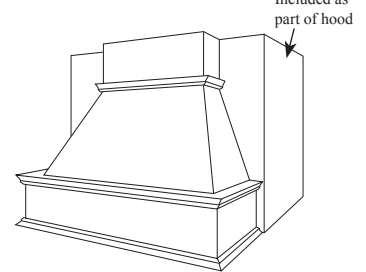
"WalzCraft can fill your Custom Millwork needs!"

J-Series Range Hoods...continued

Wood Species	J-Series Part Number								
	J-3330	J-3930	J-4530	J-5130	J-5730	J-6330	J-3336	J-3936	J-4536
Alder-Natural									
Alder-Rustic									
Beech-European-Steamed-Natural									
Birch-Natural									
Cherry-Natural									
Hickory-Natural									
Mahogany-African									
Maple-Hard-Natural									
Oak-Red-Natural									
Oak-White-QS-Natural									
Sq. Ft. for Finishing	36	39	43	47	51	54	38	43	47

When ordering, the following information should also be included on your order form:

- 1) Removable Access Panel option.
- 2) Any Accent Components being used as accessories.

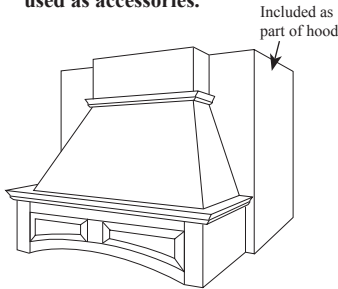


J-Series Standard Hood

Wood Species	J-Series Part Number								
	J-5136	J-5736	J-6336	J-3342	J-3942	J-4542	J-5142	J-5742	J-6342
Alder-Natural									
Alder-Rustic									
Beech-European-Steamed-Natural									
Birch-Natural									
Cherry-Natural									
Hickory-Natural									
Mahogany-African									
Maple-Hard-Natural									
Oak-Red-Natural									
Oak-White-QS-Natural									
Sq. Ft. for Finishing	51	55	59	42	46	50	55	59	63

When ordering, the following information should also be included on your order form:

- 1) Removable Access Panel option.
- 2) Any Accent Components being used as accessories.

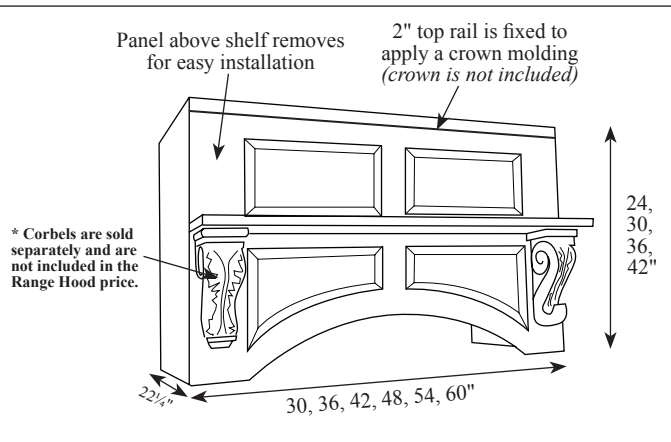


J-Series Raised Panel Hood

Wood Species	J-Series Part Number								
	JRA-3330	JRA-3930	JRA-4530	JRA-5130	JRA-5730	JRA-6330	JRA-3336	JRA-3936	JRA-4536
Alder-Natural									
Alder-Rustic									
Beech-European-Steamed-Natural									
Birch-Natural									
Cherry-Natural									
Hickory-Natural									
Mahogany-African									
Maple-Hard-Natural									
Oak-Red-Natural									
Oak-White-QS-Natural									
Sq. Ft. for Finishing	36	39	43	47	51	54	38	43	47

Wood Species	J-Series Part Number								
	JRA-5136	JRA-5736	JRA-6336	JRA-3342	JRA-3942	JRA-4542	JRA-5142	JRA-5742	JRA-6342
Alder-Natural									
Alder-Rustic									
Beech-European-Steamed-Natural									
Birch-Natural									
Cherry-Natural									
Hickory-Natural									
Mahogany-African									
Maple-Hard-Natural									
Oak-Red-Natural									
Oak-White-QS-Natural									
Sq. Ft. for Finishing	51	55	59	42	46	50	55	59	63

M-Series Range Hood



M-Series Range Hood Notes

1) Availability	M-Series Range Hoods are available in sizes to fit up to a 60" range. Custom widths, depths and heights are available.
2) Removable Panel	Special removable panel comes standard and is included in the price.
3) Shelf	M-Series range hoods come standard with a shelf, to help conceal the removable panel. <i>(The shelf does not need to be ordered separately and this is included in the range hood price.)</i>
4) Accent Components	Corbels used as shelf supports must be ordered separately & are not included in the range hood price. Space available: 5"W x 6"D x 10 1/2"H.

The installation of Range Hood and Liner Ventilation Systems are subject to local building code construction guidelines. It is your responsibility to ensure that the Range Hood, Liner and Ventilator do meet your local building code standards.



WalzCraft®



(Phone 7:00AM - 4:30PM CST) 1-800-237-1326

(24 Hour Fax) 1-608-781-3667

Range Hoods

"For a quote on your next project, call our Customer Support Team at 1-800-237-1326."

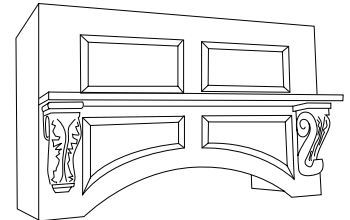
M-Series Range Hoods...continued

Wood Species	M-Series Part Number											
	M-3024	M-3624	M-4224	M-4824	M-5424	M-6024	M-3030	M-3630	M-4230	M-4830	M-5430	M-6030
Alder-Natural												
Alder-Rustic												
Beech-European-Steamed-Natural												
Birch-Natural												
Cherry-Natural												
Hickory-Natural												
Mahogany-African												
Maple-Hard-Natural												
Oak-Red-Natural												
Oak-White-QS-Natural												
Sq. Ft. for Finishing	33	36	40	44	48	51	40	44	49	53	58	62

Contact WalzCraft "Customer Support" for pricing or complete our [Catalog Request Form](#) to receive our latest "Master" Product Specifications & Wholesale Pricing Catalog.

When ordering, the following information should also be included on your order form:

- 1) Quantity of Corbels and their Part Number.
- 2) Any Crown Molding being used with the Range Hood.

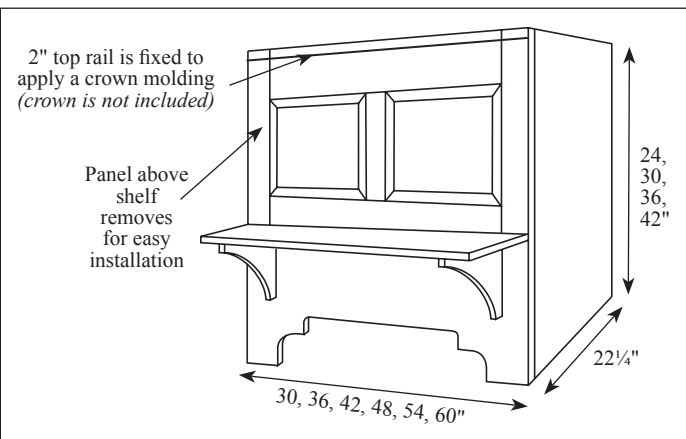


M-Series Raised Panel Hood

Wood Species	M-Series Part Number											
	M-3036	M-3636	M-4236	M-4836	M-5436	M-6036	M-3042	M-3642	M-4242	M-4842	M-5442	M-6042
Alder-Natural												
Alder-Rustic												
Beech-European-Steamed-Natural												
Birch-Natural												
Cherry-Natural												
Hickory-Natural												
Mahogany-African												
Maple-Hard-Natural												
Oak-Red-Natural												
Oak-White-QS-Natural												
Sq. Ft. for Finishing	47	52	57	63	68	73	54	60	66	72	78	84

Contact WalzCraft "Customer Support" for pricing or complete our [Catalog Request Form](#) to receive our latest "Master" Product Specifications & Wholesale Pricing Catalog.

Q-Series Range Hood



Q-Series Range Hood Notes

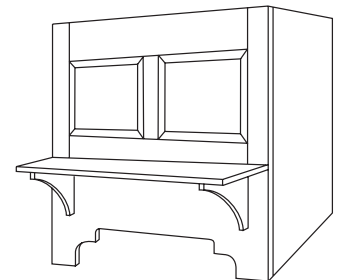
1) Availability	Q-Series Range Hoods are available in sizes to fit up to a 60" range. Custom widths, depths and heights are available.
2) Removable Panel	Special removable panel comes standard and is included in the price.
3) Shelf	Q-Series range hoods come standard with a shelf, to help conceal the removable panel. <i>(The shelf does not need to be ordered separately and this is included in the range hood price.)</i>
4) Accent Components	Corbels used as shelf supports must be ordered separately and are not included in the range hood price. Space available: 5"W x 6 1/2"D x 1 1/2"H.

Wood Species	Q-Series Part Number											
	QBKT-3024	QBKT-3624	QBKT-4224	QBKT-4824	QBKT-5424	QBKT-6024	QBKT-3030	QBKT-3630	QBKT-4230	QBKT-4830	QBKT-5430	QBKT-6030
Alder-Natural												
Alder-Rustic												
Beech-European-Steamed-Nat												
Birch-Natural												
Cherry-Natural												
Hickory-Natural												
Mahogany-African												
Maple-Hard-Natural												
Oak-Red-Natural												
Oak-White-QS-Natural												
Sq. Ft. for Finishing	39	42	46	50	54	57	46	50	55	59	64	68

Contact WalzCraft "Customer Support" for pricing or complete our [Catalog Request Form](#) to receive our latest "Master" Product Specifications & Wholesale Pricing Catalog.

When ordering, the following information should also be included on your order form:

- 1) Quantity of Corbels and their Part Number.
- 2) Any Crown Molding being used with the Range Hood.



Q-Series Standard Valance Hood

Wood Species	Q-Series Part Number											
	QBKT-3036	QBKT-3636	QBKT-4236	QBKT-4836	QBKT-5436	QBKT-6036	QBKT-3042	QBKT-3642	QBKT-4242	QBKT-4842	QBKT-5442	QBKT-6042
Alder-Natural												
Alder-Rustic												
Beech-European-Steamed-Nat												
Birch-Natural												
Cherry-Natural												
Hickory-Natural												
Mahogany-African												
Maple-Hard-Natural												
Oak-Red-Natural												
Oak-White-QS-Natural												
Sq. Ft. for Finishing	53	58	63	69	74	79	60	66	72	78	84	90

Contact WalzCraft "Customer Support" for pricing or complete our [Catalog Request Form](#) to receive our latest "Master" Product Specifications & Wholesale Pricing Catalog.

The installation of Range Hood and Liner Ventilation Systems are subject to local building code construction guidelines. It is your responsibility to ensure that the Range Hood, Liner and Ventilator do meet your local building code standards.



WalzCraft®



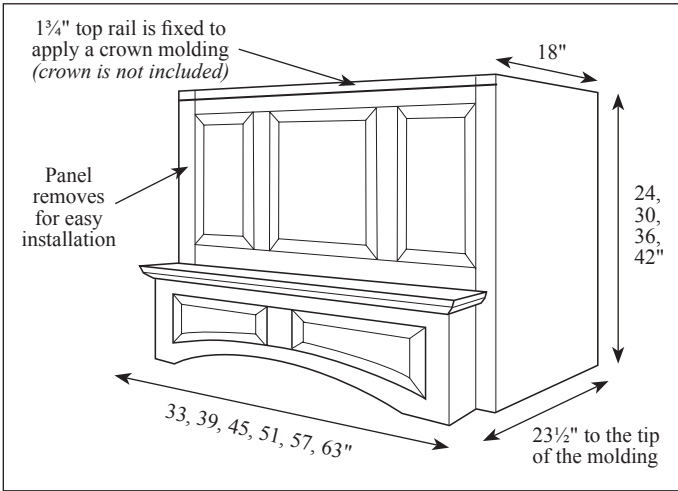
(Phone 7:00AM - 4:30PM CST) 1-800-237-1326

(24 Hour Fax) 1-608-781-3667

Range Hoods

"Call for a plant tour, it is worth the trip!"

S-Series Range Hoods



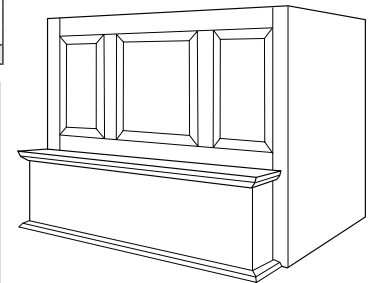
S-Series Range Hood Notes

1) Availability	S-Series Range Hoods are available in standard widths and fit up to a 60" range. Custom widths and heights are available, custom depths are not.
2) Hood Liner	Order the hood liner smaller than the hood for a proper fit, ie: 39" hoods get 36" liners.
3) Removable Panel	Special removable panel comes standard and is included in the price.
4) Accent Components	Accent Components must be ordered separately and are not included in the price of the Range Hood.

Wood Species	S-Series Part Number											
Alder-Natural	S-3324	S-3924	S-4524	S-5124	S-5724	S-6324	S-3330	S-3930	S-4530	S-5130	S-5730	S-6330
Alder-Rustic	Contact WalzCraft "Customer Support" for pricing or complete our Catalog Request Form to receive our latest "Master" Product Specifications & Wholesale Pricing Catalog.											
Beech-European-Steamed-Nat												
Birch-Natural												
Cherry-Natural												
Hickory-Natural												
Mahogany-African												
Maple-Hard-Natural												
Oak-Red-Natural												
Oak-White-QS-Natural												
Sq. Ft. for Finishing												

When ordering, the following information should also be included on your order form:

- 1) Quantity of Corbels and their Part Number.
- 2) Any Crown Molding being used with the Range Hood.

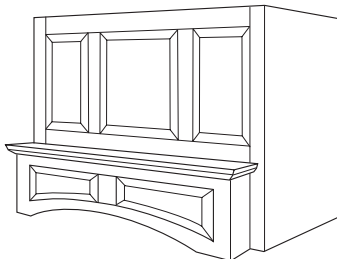


S-Series Standard Hood

Wood Species	S-Series Part Number											
Alder-Natural	S-3336	S-3936	S-4536	S-5136	S-5736	S-6336	S-3342	S-3942	S-4542	S-5142	S-5742	S-6342
Alder-Rustic	Contact WalzCraft "Customer Support" for pricing or complete our Catalog Request Form to receive our latest "Master" Product Specifications & Wholesale Pricing Catalog.											
Beech-European-Steamed-Nat												
Birch-Natural												
Cherry-Natural												
Hickory-Natural												
Mahogany-African												
Maple-Hard-Natural												
Oak-Red-Natural												
Oak-White-QS-Natural												
Sq. Ft. for Finishing												

When ordering, the following information should also be included on your order form:

- 1) Quantity of Corbels and their Part Number.
- 2) Any Crown Molding being used with the Range Hood.



S-Series Raised Panel Hood

Wood Species	S-Series Part Number											
Alder-Natural	SRA-3324	SRA-3924	SRA-4524	SRA-5124	SRA-5724	SRA-6324	SRA-3330	SRA-3930	SRA-4530	SRA-5130	SRA-5730	SRA-6330
Alder-Rustic	Contact WalzCraft "Customer Support" for pricing or complete our Catalog Request Form to receive our latest "Master" Product Specifications & Wholesale Pricing Catalog.											
Beech-European-Steamed-Nat												
Birch-Natural												
Cherry-Natural												
Hickory-Natural												
Mahogany-African												
Maple-Hard-Natural												
Oak-Red-Natural												
Oak-White-QS-Natural												
Sq. Ft. for Finishing												

Wood Species	S-Series Part Number											
Alder-Natural	SRA-3336	SRA-3936	SRA-4536	SRA-5136	SRA-5736	SRA-6336	SRA-3342	SRA-3942	SRA-4542	SRA-5142	SRA-5742	SRA-6342
Alder-Rustic	Contact WalzCraft "Customer Support" for pricing or complete our Catalog Request Form to receive our latest "Master" Product Specifications & Wholesale Pricing Catalog.											
Beech-European-Steamed-Nat												
Birch-Natural												
Cherry-Natural												
Hickory-Natural												
Mahogany-African												
Maple-Hard-Natural												
Oak-Red-Natural												
Oak-White-QS-Natural												
Sq. Ft. for Finishing												

The installation of Range Hood and Liner Ventilation Systems are subject to local building code construction guidelines. It is your responsibility to ensure that the Range Hood, Liner and Ventilator do meet your local building code standards.



WalzCraft®



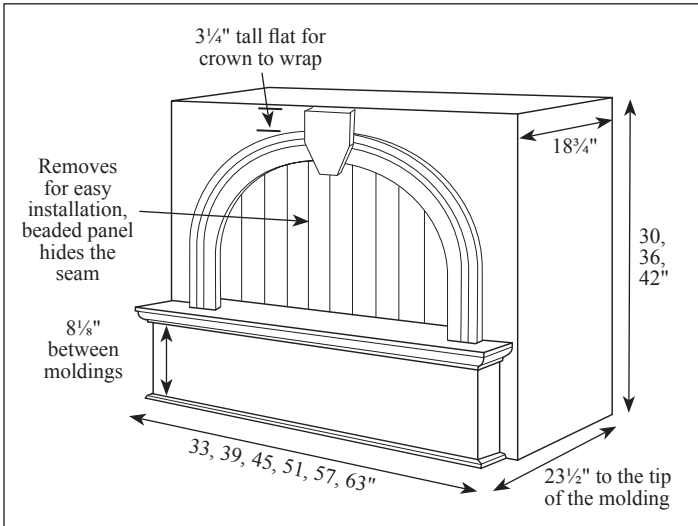
(Phone 7:00AM - 4:30PM CST) 1-800-237-1326

(24 Hour Fax) 1-608-781-3667

Range Hoods

"America's Finest Cabinet Door Maker!"

A-Series Range Hoods



A-Series Range Hood Notes

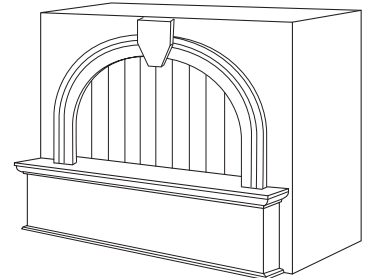
1)	Availability	A-Series Range Hoods are available in standard widths and fit up to a 60" range.
		Custom widths, depths and heights are available.
2)	Hood Liner	Order the hood liner smaller than the hood for a proper fit, ie: 39" hoods get 36" liners.
3)	Removable Panel	A-Series range hoods have a bead board panel that is removable, this comes standard and is included in the price.
4)	Accent Components	Accent Components must be ordered separately and are not included in the price of the Range Hood.

Wood Species	A-Series Part Number								
	A-3330	A-3930	A-4530	A-5130	A-5730	A-6330	A-3336	A-3936	A-4536
Alder-Natural									
Alder-Rustic									
Beech-European-Steamed-Natural									
Birch-Natural									
Cherry-Natural									
Hickory-Natural									
Mahogany-African									
Maple-Hard-Natural									
Oak-Red-Natural									
Oak-White-QS-Natural									
Sq. Ft. for Finishing	36	39	43	47	51	54	43	47	52

Contact WalzCraft "Customer Support" for pricing or complete our [Catalog Request Form](#) to receive our latest "Master" Product Specifications & Wholesale Pricing Catalog.

When ordering, the following information should also be included on your order form:

- 1) Quantity of Corbels and their Part Number.
- 2) Any Crown Molding being used with the Range Hood.



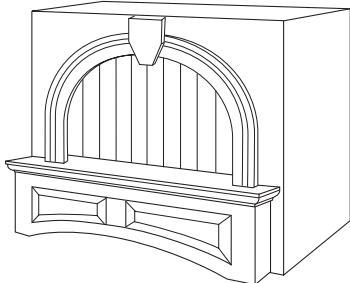
A-Series Standard Hood

Wood Species	A-Series Part Number								
	A-5136	A-5736	A-6336	A-3342	A-3942	A-4542	A-5142	A-5742	A-6342
Alder-Natural									
Alder-Rustic									
Beech-European-Steamed-Natural									
Birch-Natural									
Cherry-Natural									
Hickory-Natural									
Mahogany-African									
Maple-Hard-Natural									
Oak-Red-Natural									
Oak-White-QS-Natural									
Sq. Ft. for Finishing	56	61	65	50	55	60	66	71	76

Contact WalzCraft "Customer Support" for pricing or complete our [Catalog Request Form](#) to receive our latest "Master" Product Specifications & Wholesale Pricing Catalog.

When ordering, the following information should also be included on your order form:

- 1) Quantity of Corbels and their Part Number.
- 2) Any Crown Molding being used with the Range Hood.



A-Series Raised Panel Hood

Wood Species	A-Series Part Number								
	ARA-3330	ARA-3930	ARA-4530	ARA-5130	ARA-5730	ARA-6330	ARA-3336	ARA-3936	ARA-4536
Alder-Natural									
Alder-Rustic									
Beech-European-Steamed-Natural									
Birch-Natural									
Cherry-Natural									
Hickory-Natural									
Mahogany-African									
Maple-Hard-Natural									
Oak-Red-Natural									
Oak-White-QS-Natural									
Sq. Ft. for Finishing	36	39	43	47	51	54	43	47	52

Contact WalzCraft "Customer Support" for pricing or complete our [Catalog Request Form](#) to receive our latest "Master" Product Specifications & Wholesale Pricing Catalog.

Wood Species	A-Series Part Number								
	ARA-5136	ARA-5736	ARA-6336	ARA-3342	ARA-3942	ARA-4542	ARA-5142	ARA-5742	ARA-6342
Alder-Natural									
Alder-Rustic									
Beech-European-Steamed-Natural									
Birch-Natural									
Cherry-Natural									
Hickory-Natural									
Mahogany-African									
Maple-Hard-Natural									
Oak-Red-Natural									
Oak-White-QS-Natural									
Sq. Ft. for Finishing	56	61	65	50	55	60	66	71	76

Contact WalzCraft "Customer Support" for pricing or complete our [Catalog Request Form](#) to receive our latest "Master" Product Specifications & Wholesale Pricing Catalog.

The installation of Range Hood and Liner Ventilation Systems are subject to local building code construction guidelines. It is your responsibility to ensure that the Range Hood, Liner and Ventilator do meet your local building code standards.



WalzCraft®



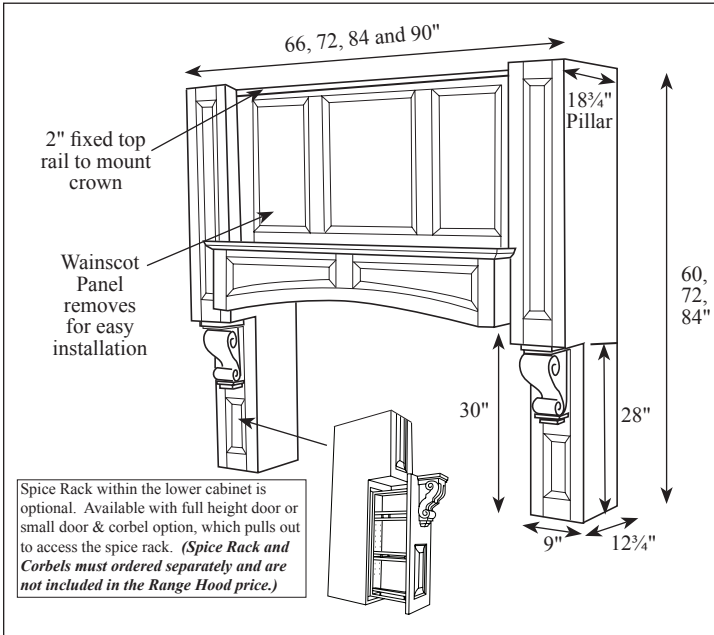
(Phone 7:00AM - 4:30PM CST) 1-800-237-1326

(24 Hour Fax) 1-608-781-3667

Range Hoods

*"Finish sanding is in our price...
not tacked on later!"*

W-Series Range Hoods

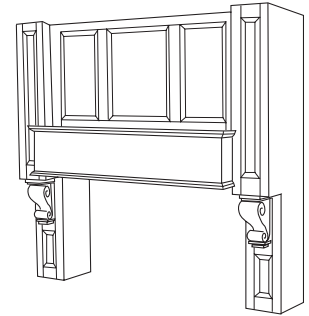


W-Series Range Hood Notes

1) Design	W-Series Range Hoods mimic the cooking hearths of times past. The hood comes down to the counter. You must verify that there is sufficient distance between the column and the range to meet local code. (In most areas, tiling the inside of the column eliminates this requirement.)
2) Removable Panel	Range hoods feature a special removable wainscot panel, this comes standard and is included in the price.
3) Spice Rack	A Spice Rack within the lower cabinet is optional. This is available with a full height door or a small door and corbel option. This must be ordered separately and is not included in the price of the range hood.
4) Accent Components	Corbels used as shelf supports must be ordered separately and are not included in the range hood price. Space available: 9"W x 6"D x 13"H.

When ordering, the following information should also be included on your order form:

- 1) Quantity of Corbels and their Part Number.
- 2) Optional Pullout Spice Rack. (*Specify full height door or small door. The small door is used with a Corbel.*)
- 3) Any additional Accent Components being used as accessories.
- 4) Any Crown Molding being used with the Range Hood.



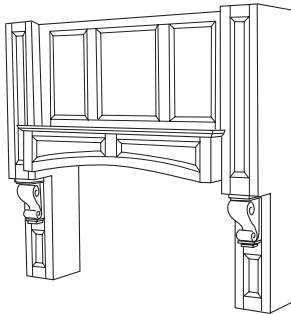
**W-Series
Standard Hood**

Wood Species	W-Series Part Number											
	W6660	W7260	W8460	W9060	W6672	W7272	W8472	W9072	W6684	W7284	W8484	W9084
Alder-Natural												
Alder-Rustic												
Beech-European-Steamed-Natural												
Birch-Natural												
Cherry-Natural												
Hickory-Natural												
Mahogany-African												
Maple-Hard-Natural												
Oak-Red-Natural												
Oak-White-QS-Natural												
Sq. Ft. for Finishing	92	99	112	118	111	118	134	142	129	138	156	165

Contact WalzCraft
"Customer Support"
for pricing or complete our
[Catalog Request Form](#)
to receive our latest
"Master" Product Specifications
& Wholesale Pricing Catalog.

When ordering, the following information should also be included on your order form:

- 1) Quantity of Corbels and their Part Number.
- 2) Optional Pullout Spice Rack. (*Specify full height door or small door. The small door is used with a Corbel.*)
- 3) Any additional Accent Components being used as accessories.
- 4) Any Crown Molding being used with the Range Hood.



**W-Series Raised
Panel Hood**

Wood Species	W-Series Part Number											
	WRA6660	WRA7260	WRA8460	WRA9060	WRA6672	WRA7272	WRA8472	WRA9072	WRA6684	WRA7284	WRA8484	WRA9084
Alder-Natural												
Alder-Rustic												
Beech-European-Steamed-Natural												
Birch-Natural												
Cherry-Natural												
Hickory-Natural												
Mahogany-African												
Maple-Hard-Natural												
Oak-Red-Natural												
Oak-White-QS-Natural												
Sq. Ft. for Finishing	92	99	112	118	111	118	134	142	129	138	156	165

Contact WalzCraft
"Customer Support"
for pricing or complete our
[Catalog Request Form](#)
to receive our latest
"Master" Product Specifications
& Wholesale Pricing Catalog.

The installation of Range Hood and Liner Ventilation Systems are subject to local building code construction guidelines. It is your responsibility to ensure that the Range Hood, Liner and Ventilator do meet your local building code standards.



WalzCraft®



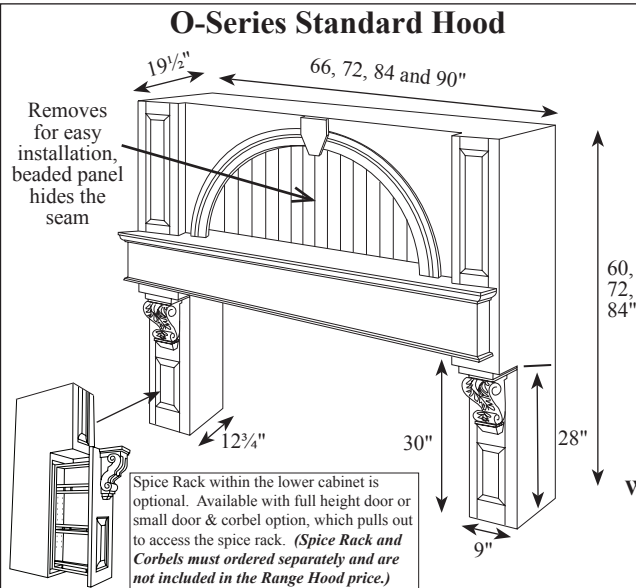
(Phone 7:00AM - 4:30PM CST) 1-800-237-1326

(24 Hour Fax) 1-608-781-3667

Range Hoods

"More design options from WalzCraft!"

O-Series Range Hoods



O-Series Range Hood Notes

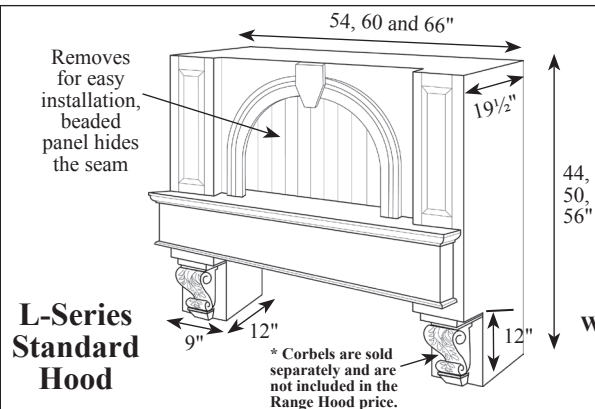
1) Design	O-Series Range Hoods come down to the counter. You must verify that there is sufficient distance between the column and the range to meet local code. (In most areas, tiling the inside of the column eliminates this requirement.)
2) Removable Panel	Range hoods feature a special removable bead board panel, this comes standard and is included in the price.
3) Spice Rack	A Spice Rack within the lower cabinet is optional. This must be ordered separately and is not included in the price of the range hood.
4) Accent Components	Corbels used as shelf supports must be ordered separately and are not included in the range hood price. Space available: 9"W x 6 3/4"D x 13"H.

When ordering, the following information should be included on your order form:

- Quantity of Corbels and their Part Number.
- Optional Pullout Spice Rack. (Specify full height door or small door. The small door is used with a Corbel.)
- Any additional Accent Components being used as accessories.

Wood Species	O-Series Part Number											
Alder-Natural	O6660	O7260	O8460	O9060	O6672	O7272	O8472	O9072	O6684	O7284	O8484	O9084
Alder-Rustic	Contact WalzCraft "Customer Support" for pricing or complete our Catalog Request Form to receive our latest "Master" Product Specifications & Wholesale Pricing Catalog.											
Beech-European-Steamed-Natural												
Birch-Natural												
Cherry-Natural												
Hickory-Natural												
Mahogany-African												
Maple-Hard-Natural												
Oak-Red-Natural												
Oak-White-QS-Natural												
Sq. Ft. for Finishing												

L-Series Range Hoods



L-Series Range Hood Notes

1) Removable Panel	L-Series Range hoods feature a special removable bead board panel, this comes standard and is included in the price.
2) Accent Components	Corbels used as shelf supports must be ordered separately and are not included in the range hood price. Space available: 9"W x 7 1/2"D x 12"H.

When ordering, the following information should also be included on your order form:

- Quantity of Corbels and their Part Number.
- Any additional Accent Components being used as accessories.

Wood Species	L-Series Part Number									
Alder-Natural	L5444	L6044	L6644	L5450	L6050	L6650	L5456	L6056	L6656	
Alder-Rustic	Contact WalzCraft "Customer Support" for pricing or complete our Catalog Request Form to receive our latest "Master" Product Specifications & Wholesale Pricing Catalog.									
Beech-European-Steamed-Natural										
Birch-Natural										
Cherry-Natural										
Hickory-Natural										
Mahogany-African										
Maple-Hard-Natural										
Oak-Red-Natural										
Oak-White-QS-Natural										
Sq. Ft. for Finishing										

The installation of Range Hood and Liner Ventilation Systems are subject to local building code construction guidelines. It is your responsibility to ensure that the Range Hood, Liner and Ventilator do meet your local building code standards.



WalzCraft®



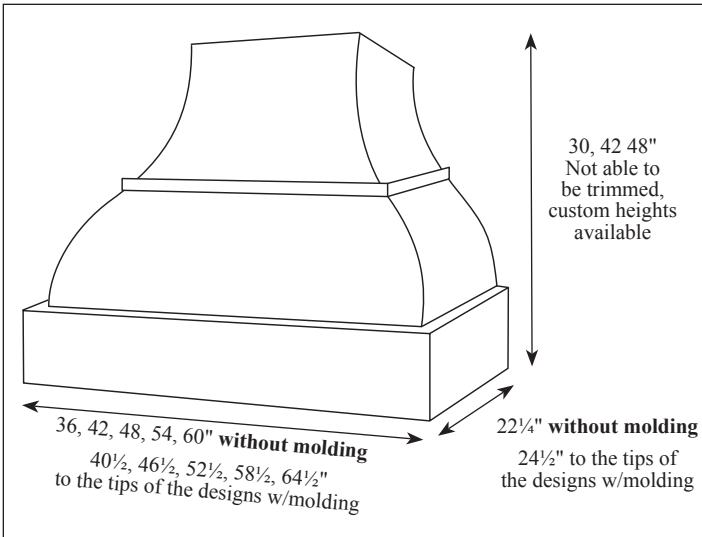
(Phone 7:00AM - 4:30PM CST) 1-800-237-1326

(24 Hour Fax) 1-608-781-3667

Range Hoods

"Quality on time, every time!"

B-Series Range Hoods



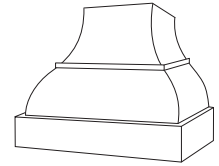
B-Series Range Hood Notes

1)	Availability	B-Series Range Hoods are available in standard widths and fit up to a 60" cook top.
		Custom widths, depths and heights are available.
2)	Standard Height	Available in three standard heights: 30", 42" and 48". This hood should not be trimmed in the field.
4)	Moldings	Crown Molding can be added to the top of the Range Hood. This must be ordered separately and is not included in the price of the range hood.
5)	Accent Components	Accent Components must be ordered separately and are not included in the price of the Range Hood.

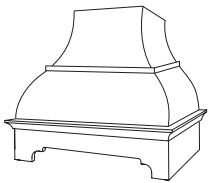
When ordering, the following information should also be included on your order form:

- 1) Any Accent Components being used as accessories.
- 2) Any Crown Molding being used with the Range Hood.

B-Series Standard Hood



Wood Species	B-Series Part Number														
	B-3630	B-4230	B-4830	B-5430	B-6030	B-3642	B-4242	B-4842	B-5442	B-6042	B-3648	B-4248	B-4848	B-5448	B-6048
Alder-Natural	Contact WalzCraft "Customer Support" for pricing or complete our Catalog Request Form to receive our latest "Master" Product Specifications & Wholesale Pricing Catalog.														
Alder-Rustic															
Beech-European-Steamed-Natural															
Birch-Natural															
Cherry-Natural															
Hickory-Natural															
Mahogany-African															
Maple-Hard-Natural															
Oak-Red-Natural															
Oak-White-QS-Natural															
Sq. Ft. for Finishing	38	41	45	49	53	53	58	63	68	74	60	66	72	78	84



B-Series Decorative Panel Base Hood

When ordering, the following information should also be included on your order form:

- 1) Any Accent Components being used as accessories.
- 2) Any Crown Molding being used with the Range Hood.

Wood Species	B-Series Part Number														
	BDP1-3630	BDP1-4230	BDP1-4830	BDP1-5430	BDP1-6030	BDP1-3642	BDP1-4242	BDP1-4842	BDP1-5442	BDP1-6042	BDP1-3648	BDP1-4248	BDP1-4848	BDP1-5448	BDP1-6048
Alder-Natural	Contact WalzCraft "Customer Support" for pricing or complete our Catalog Request Form to receive our latest "Master" Product Specifications & Wholesale Pricing Catalog.														
Alder-Rustic															
Beech-European-Steamed-Natural															
Birch-Natural															
Cherry-Natural															
Hickory-Natural															
Mahogany-African															
Maple-Hard-Natural															
Oak-Red-Natural															
Oak-White-QS-Natural															
Sq. Ft. for Finishing	38	41	45	49	53	53	58	63	68	74	60	66	72	78	84

The installation of Range Hood and Liner Ventilation Systems are subject to local building code construction guidelines. It is your responsibility to ensure that the Range Hood, Liner and Ventilator do meet your local building code standards.



WalzCraft®



(Phone 7:00AM - 4:30PM CST) 1-800-237-1326

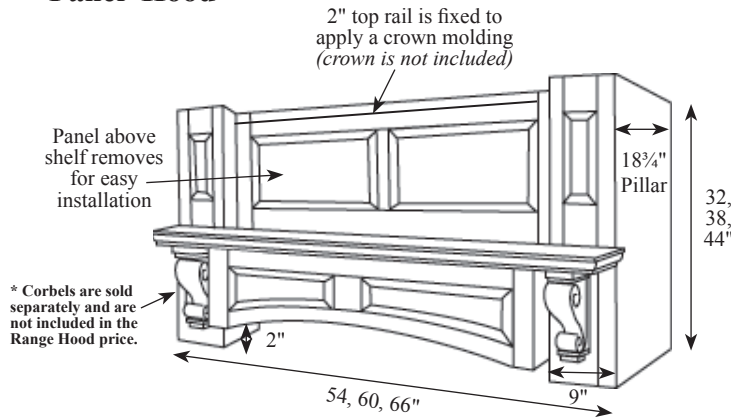
(24 Hour Fax) 1-608-781-3667

Range Hoods

"Call for a plant tour, it is worth the trip!"

N-Series Range Hoods

N-Series Raised Panel Hood



N-Series Range Hood Notes

1)	Design	N-Series Range Hoods are hearth style hoods that do not go to the countertop.
2)	Availability	Custom widths, depths and heights are available.
3)	Removable Panel	Feature a special removable bead board panel, this comes standard and is included in the price.
		When ordered at 66" wide, the removable panel will be 3 equal panels wide.
5)	Accent Components	Comes standard with a shelf, to help conceal the removable panel. <i>(The shelf does not need to be ordered separately and is included in the price of the range hood.)</i>
		Corbels used as shelf supports must be ordered separately and are not included in the range hood price. Space available: 5"W x 6"D x 12 1/4"H.

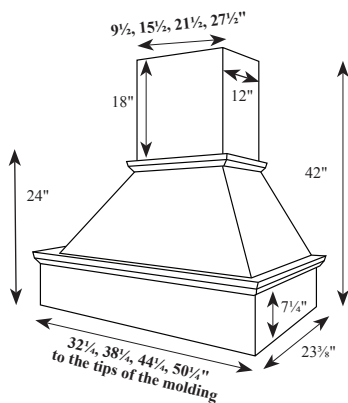
Wood Species	N-Series Part Number								
	NRA-5432	NRA-6032	NRA-6632	NRA-5438	NRA-6038	NRA-6638	NRA-5444	NRA-6044	NRA-6644
Alder-Natural									
Alder-Rustic									
Beech-European-Steamed-Natural									
Birch-Natural									
Cherry-Natural									
Hickory-Natural									
Mahogany-African									
Maple-Hard-Natural									
Oak-Red-Natural									
Oak-White-QS-Natural									
Sq. Ft. for Finishing	40	44	48	48	52	57	55	61	66

Contact WalzCraft "Customer Support" for pricing or complete our [Catalog Request Form](#) to receive our latest "Master" Product Specifications & Wholesale Pricing Catalog.

When ordering, the following information should also be included on your order form:

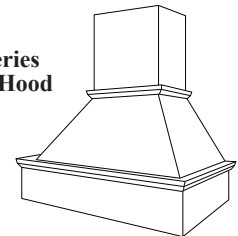
- 1) Quantity of Corbels and their Part #.
- 2) Any Crown Molding being used with the Range Hood.

Vchim-Series Range Hoods



Wood Species	Vchim-Series Part Number			
	V-3042	V-3642	V-4242	V-4842
Alder-Natural				
Cherry-Natural				
Maple-Hard-Natural				
Oak-Red-Natural				
Sq. Ft. for Finishing	35	39	42	46

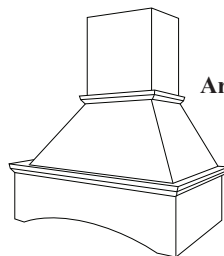
Vchim-Series Standard Hood



When ordering, the following information should also be included on your order form:

- 1) Any additional Accent Components being used as accessories.

Vchim-Series Arched Base Hood



Wood Species	Vchim-Series Part Number			
	VRA-3042	VRA-3642	VRA-4242	VRA-4842
Alder-Natural				
Cherry-Natural				
Maple-Hard-Natural				
Oak-Red-Natural				
Sq. Ft. for Finishing	35	39	42	46

When ordering, the following information should also be included on your order form:

- 1) Any additional Accent Components being used as accessories.

Vchim-Series Range Hood Notes

1)	Availability	Vchim-Series Range Hoods are available in 30" to 48" widths and must be ordered in 6" increments. Custom widths, depths and heights <i>are not</i> available.
2)	Standard Height	The standard height is 42", however, the upper chimney can be trimmed down.
3)	Moldings	Base and Chimney Moldings come standard.
4)	Accent Components	Accent Components must be ordered separately and are not included in the price of the Range Hood.



WalzCraft®



(Phone 7:00AM - 4:30PM CST) 1-800-237-1326

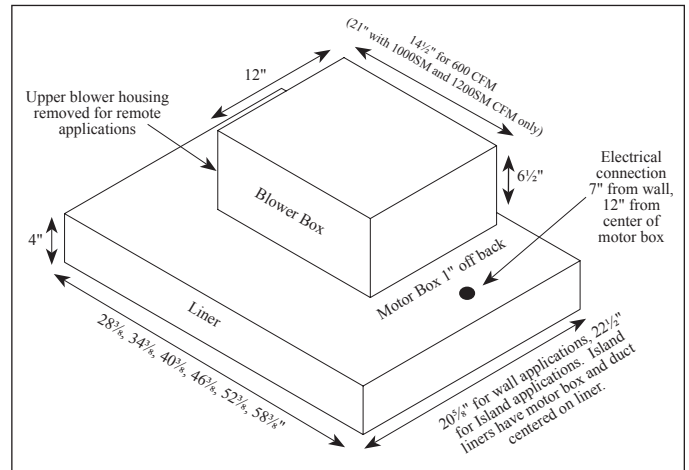
(24 Hour Fax) 1-608-781-3667

Range Hood Accessories

"Outstanding quality at competitive prices!"

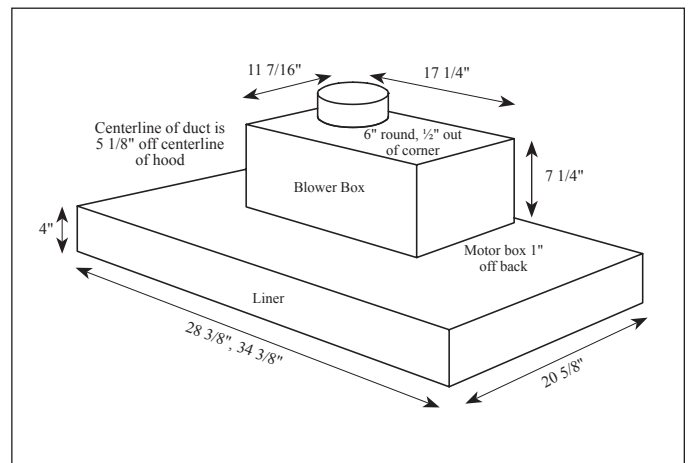
Range Hoods - Professional Mesh Liners / Ventilator Units (PML)

- Ventilation Units and Stainless Steel Liners are not included with the Range Hood designs.
- These units must be purchased separately and are not included in the price of the Range Hood.
- Ordering guidelines can be found below. These units are manufactured by Modern-Aire.
- Dimmer controlled halogen lighting.
- Variable speed fan control.
- Large dishwasher safe perforated stainless steel mesh insert filters.
- **Internal** and **External** blowers available.
 - **Internal** blowers are mounted inside the wood hood. They push the air through the duct.
 - **External** blowers are mounted on the roof or outside wall. They pull air through the duct and offer superior performance.
- **CFM (Cubic Feet per Minute):** This is a measurement of air volume velocity and is often used in measuring air flow from heating or cooling diffusers. It is a rating attributed to fan size.



Range Hoods - Value Liners / Ventilator Units (VAL-LINE)

- Ventilation Units and Liners are not included with the Range Hood designs.
- These units must be purchased separately and are not included in the price of the Range Hood.
- Ordering guidelines can be found below. These units are manufactured by Fujioh with 30" and 36" sizes available.
- Dual 35 watt halogen lights.
- Three speed fan control.
- Dishwasher safe aluminum slotted filters.
- **BUF-021** blower, 350 CFM (270 CFM for BUF-04).
- Silver metallic finish, stainless steel look.



The installation of Range Hood and Liner Ventilation Systems are subject to local building code construction guidelines. It is your responsibility to ensure that the Range Hood, Liner and Ventilator do meet your local building code standards.



WalzCraft®



(Phone 7:00AM - 4:30PM CST) 1-800-237-1326

(24 Hour Fax) 1-608-781-3667

Range Hood Accessories

"Ordering from WalzCraft is easy!"

Range Hood Liners / Ventilator Units

Model #	Blower Type	CFM Rating	Amps	Ducting	Suggested Use
BUF-021 (Value Liner)	Internal	350	2.0, 120V	6" round	Standard electric range.
SM600 with 300 CFM Converter	Internal	300	5.0, 110V	8" Round	Standard range requiring less than 300 CFM and air makeup system not desired.
PML600	Internal	600	5.0, 110V	8" round	Standard range or small commercial range.
PML1000	Internal	1000	7.0, 110V	10" round	Commercial range up to 48" wide without grill.
PML1200SM	Internal	1200	7.0, 110V	10" round	Commercial range up to 48" wide without grill (not available for 30" wide liners).
PML600R	External	600	7.0, 110V	10" round	36" or smaller commercial range without grill.
PML1200R	External	1200	7.0, 110V	10" round	Any commercial range without grill.
PML1500R	External	1500	7.0, 110V	10" round	Any range with WOK and / or grill.

Note: 28 3/8" - 40 3/8" have (2) 50W halogen lights, 46 3/8" - 52 3/8" have (3) 50W halogen lights, 58 3/8" have (4) 50W halogen lights. Value liners have (2) 35W halogen lights.

Wood Hood Model and Size	Size of Liner that Fits Hood / Actual Width of Liner					
	30 / 28 3/8"	36 / 34 3/8"	42 / 40 3/8"	48 / 46 3/8"	54 / 52 3/8"	60 / 58 3/8"
G, T	NA	36	42	48	54	60
I *	NA	36	42	48	54	60
E, D, B	NA	36	42	48	54	60
W, O	NA	NA	NA	66	72	84, 90
L, N	NA	54	60	66	NA	NA
M, Q	30	36	42	48	54	60
S, J, A	33	39	45	51	57	63
Vchim	30	36	36 (w/ fillers)	36 (w/ fillers)	NA	NA

* Island hood liners are unique in depth and price.

Price Per Unit

Model #	CFM Rating	Size of Liner that Fits Hood / Actual Width of Liner					
		30 / 28 3/8"	36 / 34 3/8"	42 / 40 3/8"	48 / 46 3/8"	54 / 52 3/8"	60 / 58 3/8"
VAL-LINE	350	Contact WalzCraft "Customer Support" for pricing or complete our Catalog Request Form to receive our latest "Master" Product Specifications & Wholesale Pricing Catalog.					
PML600	600						
SM600/300	300						
PML1000	1000						
PML1200SM	1200						
PML600R	600						
PML1200R	1200						
PML1500R	1500						

* For Hoods G, T, B, D & Vchim, the 30" VAL-LINE utilizes the BUF-04 motor (270 CFM).

The installation of Range Hood and Liner Ventilation Systems are subject to local building code construction guidelines. It is your responsibility to ensure that the Range Hood, Liner and Ventilator do meet your local building code standards.



WalzCraft®



(Phone 7:00AM - 4:30PM CST) 1-800-237-1326

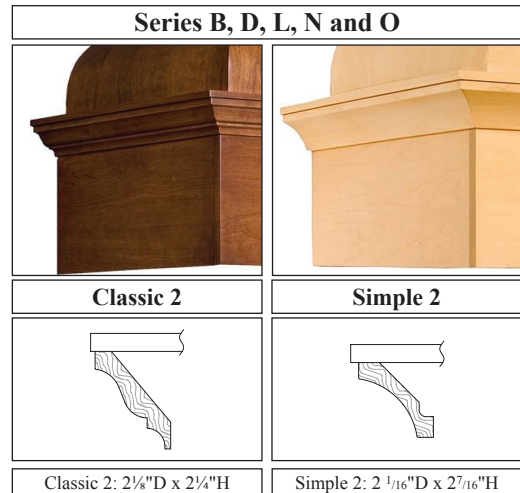
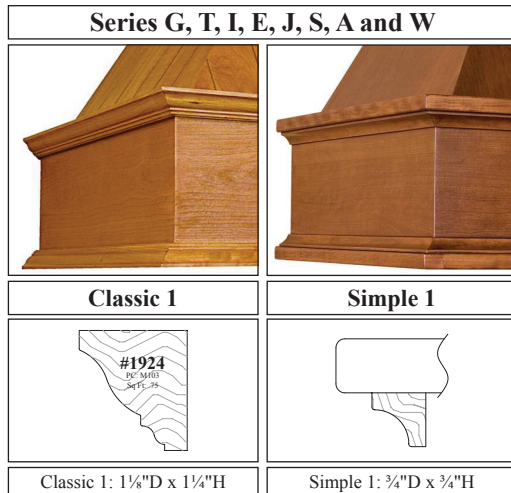
(24 Hour Fax) 1-608-781-3667

Range Hood Accessories

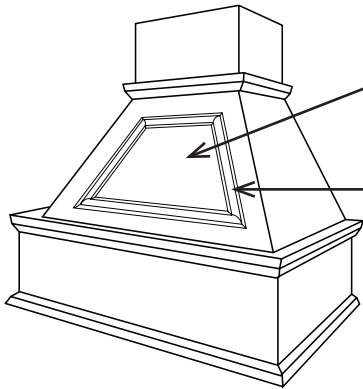
"Finishing is also available!"

Range Hood Molding Options

- The **G, T, I, E, J, S, A** and **W** series of hoods have two molding options to choose from:
 - Classic 1 (WalzCraft Molding #1924 and #1925).
 - Simple 1 (Similar to WalzCraft Molding #398).
- The **B, D, L, N** and **O** series of hoods have two molding options to choose from:
 - Classic 2 (Similar to WalzCraft Molding #1376).
 - Simple 2 (Similar to WalzCraft Molding #383).
- Moldings shown below are not to scale. Please see molding section of this catalog for more information.



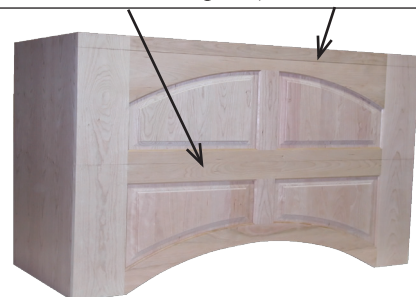
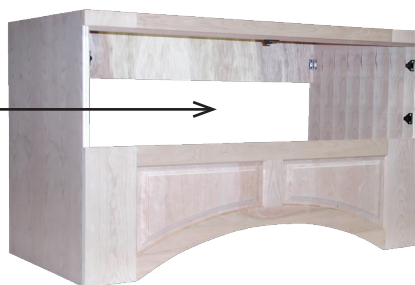
Removable Exhaust Fan Access Panel Options for Range Hoods



- **Removable Exhaust Fan Access Panel** (Available on **G, I, J** and **T** Series Range Hoods for an additional charge).
- When ordering, please specify the Range Hood Series and note the Exhaust Fan Access Panel option.
- To cover the removable access panel, an applied molding is used to complete the look.

- **Removable Panel** for easy access to ventilation or duct work. (This is a standard feature on the **M, Q, S, N, A, O, L** and **W** Series Range Hoods.)
- When ordering, there is no need to specify an exhaust fan access panel option.

- The removable panel on the **M, Q, S, N** and **W** Series Range Hoods is held in place with clips. When assembled, the visible seam on the top rail can be concealed with the addition of a Crown Molding (sold separately). The seam on the center rail will be concealed with a shelf (standard feature that is included in the price).



The installation of Range Hood and Liner Ventilation Systems are subject to local building code construction guidelines. It is your responsibility to ensure that the Range Hood, Liner and Ventilator do meet your local building code standards.



WalzCraft®



(Phone 7:00AM - 4:30PM CST) 1-800-237-1326

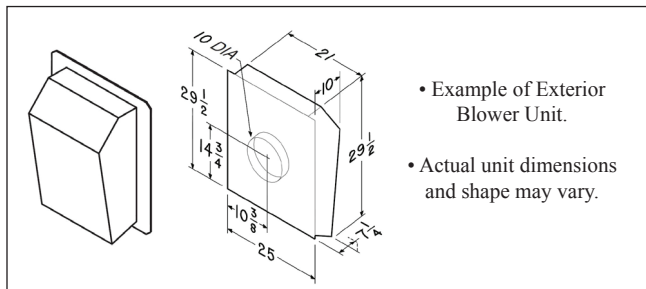
(24 Hour Fax) 1-608-781-3667

Range Hood Accessories

“Finishing is also available!”

Range Hood Notes

1)	Blower & Ventilation Units	<p>All Range Hood designs are pre-engineered and available with optional Blower and Ventilation packages.</p> <p>Blower and Ventilation Units are not included with the hood and must be ordered separately.</p> <p>The Blower and Ventilation Units we offer work with our Range Hood designs. If you chose to use another supplier, there will be NO warranty from WalzCraft should the units not be compatible.</p> <p>Internal and External blowers available.</p> <ul style="list-style-type: none"> ◦ Internal blowers are mounted inside the wood hood. They push the air through the duct. ◦ External blowers are mounted on the roof or outside wall. They pull air through the duct and offer superior performance.
2)	Customization	Customization of all Range Hood designs is available. We recommend a price quote when customizing any hood. Some customizations may incur significant upcharges due to the complexity of the modification.
3)	Exhaust Fan Access Panel	Available for <i>most</i> Range Hoods.
4)	Part Numbers	Part numbers throughout this section also represent the width dimension (ie: T-36 = 36" wide, I-42 = 42" wide).
5)	Accent Components	Accent components for your Range Hood are available and must be ordered separately.
6)	Stile & Rail Profiles	Available with the SR100 , SR102 , SR107 and SR119 .
7)	Center Panel Profiles	Available with the PR300-32 , PR302-25 , PR303-32 , PR305-32 and PR324-RVSCP .
8)	Simulated Distressing	Available with all Simulated Distressing options.
9)	Finishing	Finishing is available.
10)	Classic 1 or Simple 1 Molding Options	Available with the A , E , G , I , J , S , T and W Series hoods and are included in the price.
11)	Classic 2 or Simple 2 Molding Options	Available with the B , D , L , N and O Series hoods and are included in the price.
12)	Crating Charge	There is a Crating Charge for <i>all</i> Range Hood designs.



WalzCraft®



(Phone 7:00AM - 4:30PM CST) 1-800-237-1326

(24 Hour Fax) 1-608-781-3667