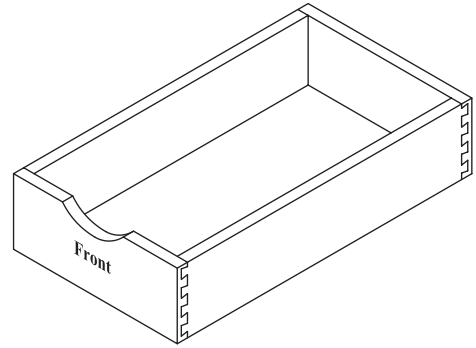


Drawer Box Scoop Option

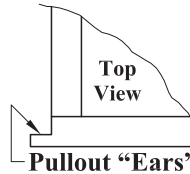
Drawer Box Scoop dimension is 5/8"W x 7/8"H.
 The minimum width for a drawer box with the scoop option is 7".



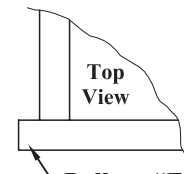
★ **Add: Charge per Scoop** ★

Drawer Box "Ear" Option

- **Drawer Box "Ears"** extend 7/16" past the pullout sides.
- When ordering drawer boxes with "ears", please order the box size **without** the "ear" dimension added.
- The "ear" thickness varies depending on the thickness of the sidewalls (*applies to dovetail drawer boxes only*):
 - 1/2" sides - ears are 1/4" thick. Front of drawer box will be 5/8" thick to allow for dovetail joint and 1/4" thick ear.
 - 5/8" sides - ears are 1/4" thick
 - 3/4" sides - ears are 3/8" thick.



Dovetailed Drawer Boxes

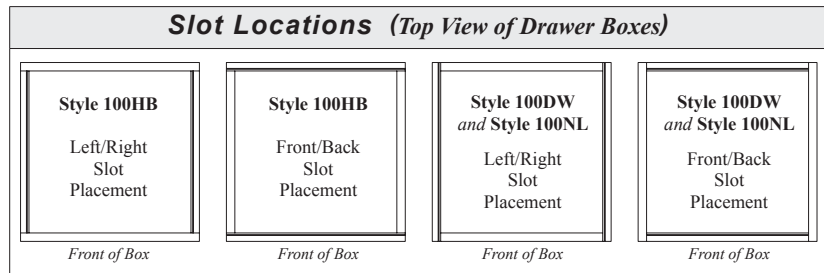
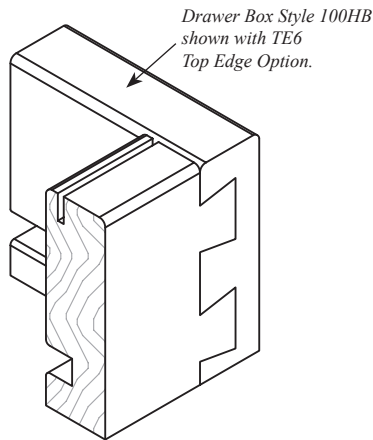
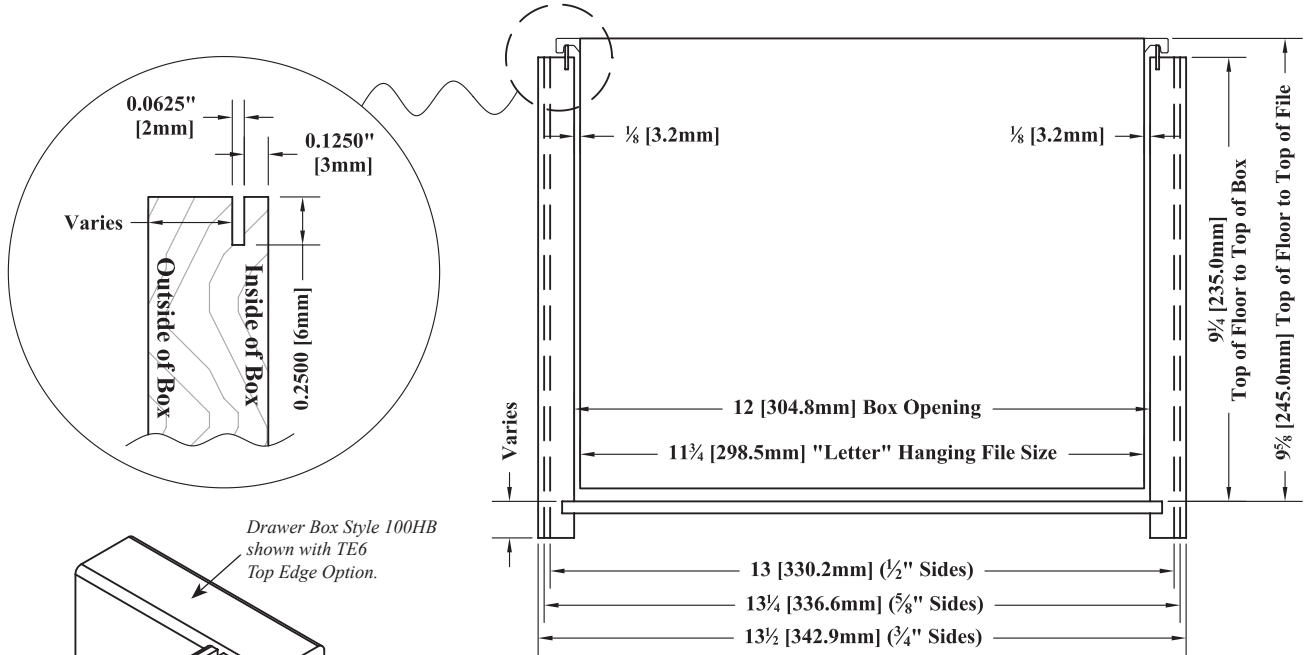


Doweled Drawer Boxes

• Please keep in mind that if using side mount drawer slides on a drawer box with ears, the slides will have to be set back the thickness of the ear from the front of the box. Please consult drawer slide specifications for drawer box sizing and mounting information. Not compatible with under mount drawer slides.

★ **1/2" Sides - Add: Charge per Drawer Box** ★
 ★ **5/8" and 3/4" Sides - Add: Charge per Drawer Box** ★

Hanging File Slot for Drawer Boxes

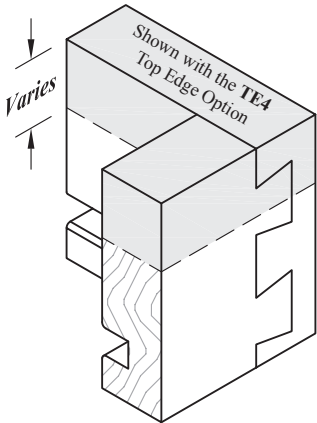


★ Add: Charge per Drawer Box to machine the File Slot. ★
 Add: Charge per lineal inch for the cut to size or full 6' lengths of Aluminum Bar Stock.

Aluminum Bar Stock & Hanging File Slot Notes

1)	Aluminum Bar Stock	WalzCraft can machine the File Slot & supply Aluminum Bar Stock cut to size, which will be shipped loose. Aluminum bar stock is 1/2" High. Also sold separately. Maximum lengths of 6'. Use WCI Item #159741 .
2)	Hanging File Slot	Use Part #HFS01 when ordering the Hanging File Slot option.
3)	Availability	Available on 1/2", 5/8" and 3/4" sidewall thicknesses.
4)	File Slot Application	<ul style="list-style-type: none"> ▪ When Left & Right is specified, slot is applied to the left & right sides of the drawer box (<i>conventional</i>). ▪ When Front & Back is specified, slot is applied to the front & back of the drawer box (<i>lateral</i>).
5)	Slot Size & Placement	Slot size = 1/16" Wide x 1/4" Deep. Placement is standard at 1/8" from the inside of the drawer box.
6)	Top Edge Options & Aluminum Bar Stock Placement	100HB (Left/Right): TE4, TE6 - Bar will be notched and will extend 1/2" beyond opening depth at each end. 100HB (Front/Back): TE2, TE4, TE6, TE7 - Bar will run full width of drawer box. 100DW, 100NL (Left/Right): TE2, TE4, TE10, TE11 - Bar will run full depth of cabinet box. 100DW, 100NL (Front/Back): TE4 - Bar will be notched & will extend 1/2" beyond opening width at each end.
7)	Minimum Drawer Box Height Formula	To calculate the overall drawer box height required to hold a hanging file, please use the following formula: File Folder size = 9 1/4" + Bottom Panel Thickness + Bottom Panel Inset Dimension.
8)	Cabinet Opening	The cabinet opening height for the drawer box needs to factor in: a) The distance the bottom of the drawer box is above the bottom of the opening. b) The height of any tabs or labels that protrude beyond the top of the hanging file.
9)	Legal Size	For legal size hanging file folders, add 3" to width of letter size.

Accented Top Edge Option



★ **Accented Top Edge Option - Add: Charge per Square Foot** ★

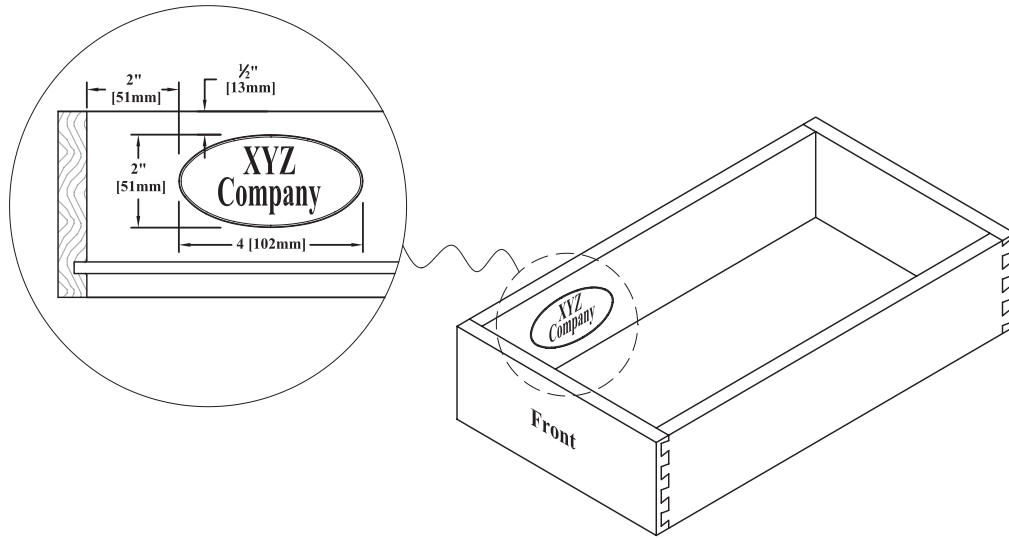
Accented Top Edge Price Calculation

- 1) Utilize the pricing guidelines found on *page H1-14 Ref #1*) to determine the square footage for the drawer box side material, using the **full height dimension** for the drawer box.
- 2) Multiply the total square footage for Drawer Box Side Material x charge per Sq. Ft.
- 3) Add this cost to the Drawer Box price.

Accented Top Edge Notes

1)	Features	The Accented Top Edge allows you to select a different wood species for construction on the top edge creating a decorative detail to your drawer box.
2)	Width	The width of the edge band must match the width of the drawer box sides.
3)	Height	Must be specified, 1/2" minimum required.
4)	Scoop	Not available with the drawer box "scoop" option.
5)	Ears	Available with the drawer box "ear" option.
6)	Top Edge	All top edge options are available.
7)	Wood Species	These solid wood species are most desirable: Cherry, Mahogany, Sapele and Walnut.

Laser Engraving on Drawer Boxes



★ **Add: Charge for a One-Time Setup Fee per Logo (Less 30% Discount)** ★
 ★ **Add: Charge per Drawer Box (Less 30% Discount)** ★

Laser Engraving Notes

1)	Wood Species	The following wood species are recommended for laser engraving: Alder, Cherry, Maple, Red Birch and Walnut.
2)	Placement	The drawing above shows the approximate size and location for you engraved logo. <i>Some logo designs will vary in size due to their shape.</i>
3)	Design Formats	Submit business logo designs in the following formats: EPS (vector art preferred), high resolution JPEG or TIF files. (JPEG and TIF files must be at least 600 DPI.) Due to variations in logo designs, a CAD drawing will be supplied by WalzCraft for approval prior to manufacturing your order.
4)	Promotional Discount	WalzCraft views the engraving of your company’s logo on drawer boxes as a “promotional item” for your business. As such, you will receive a 30% discount off the “One-Time Setup Fee” as well as the “Per Box Charge”. The cost of the drawer box itself will be priced as normal.