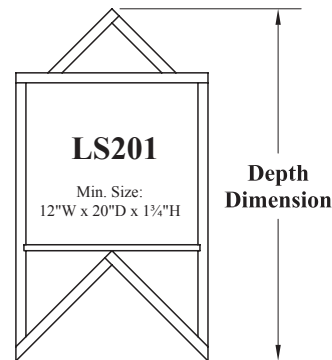
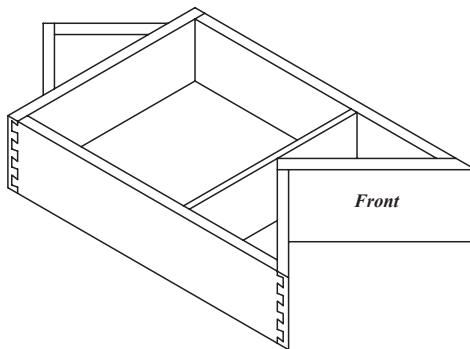
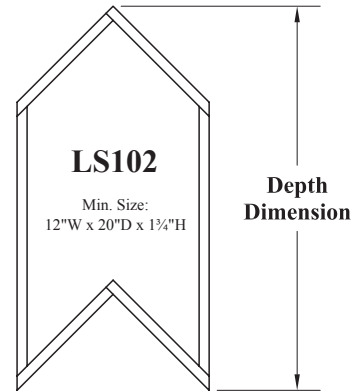
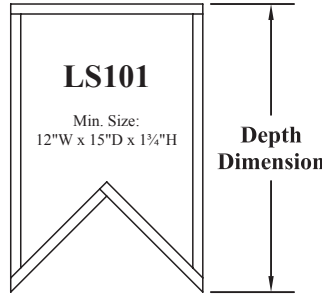
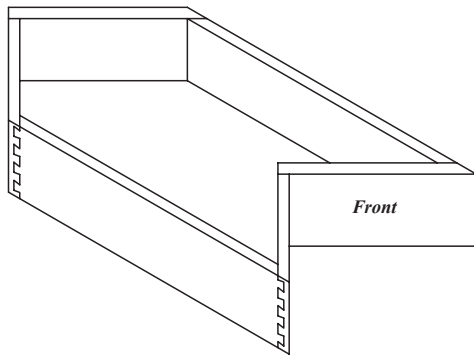


Inside Corner Patterns



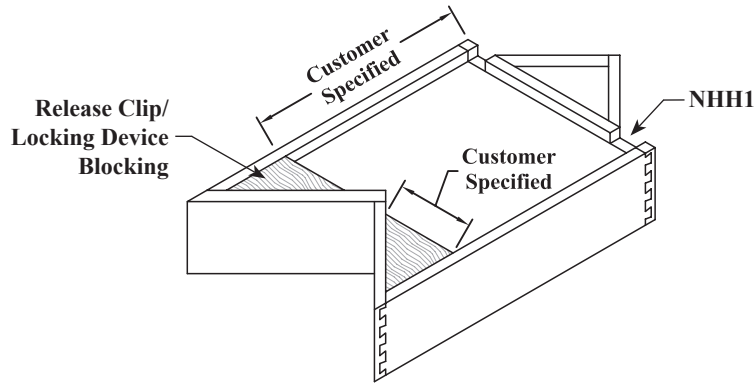
Specialty Drawer Box Notes - Inside Corner Patterns

1) Pricing	Please see <i>Section H16</i> of the Wholesale Pricing Catalog .
2) Dovetail Joinery	This joinery is used on Inside Corner Drawer boxes made of solid wood. A butt joint is used to attach the angled section to the back side of the LS201 pattern. (<i>Doweled or Nailed construction is not an option.</i>)
3) Domino Tenon Joinery	This joinery method used on Inside Corner Drawer Boxes made of Melamine and Baltic Birch.
4) Ready to Assemble	Not available Ready To Assemble (RTA).
5) Inside Corner Angle	Only available with a 45° angle.
6) “Scoop” and “Ear” Options	Not available with Scoop or Ear options.
7) Top Edge Options	Available with these top edge options: TE1, TE2, TE3, TE4, TE6 and TE7.
	TE5 is also available on the LS101 and LS102 patterns, in addition to the TE options above.
8) Minimum Height	Minimum height of Inside Corner Drawer Boxes is 1¼".

► For PRICING ► See Section **H16** in our Wholesale Pricing Catalog.

H

Drawer Box Blocking for Release Clip / Locking Device (DBB100)



H

Specialty Drawer Box Notes - Blocking for Release Clips

1) Pricing	Please see <i>Section H17</i> of the Wholesale Pricing Catalog .
2) Installation	Blocks mount flush with bottom of drawer box and provides a straight edge for mounting release clips/locking devices that are part of undermount drawer slide systems.
3) Notching Option	Must be used in conjunction with the NHH1 drawer box notching option (ordered separately, see <i>Section H6</i>).
4) Dimensions	Customer specified dimensions determined by drawer slide manufacturer.
5) Availability	Also available with curved front drawer boxes (<i>Section H15</i>) and notched drawer box pattern DBP104L/R (<i>Section H14</i>).

► For PRICING ► See *Section H17* in our Wholesale Pricing Catalog.