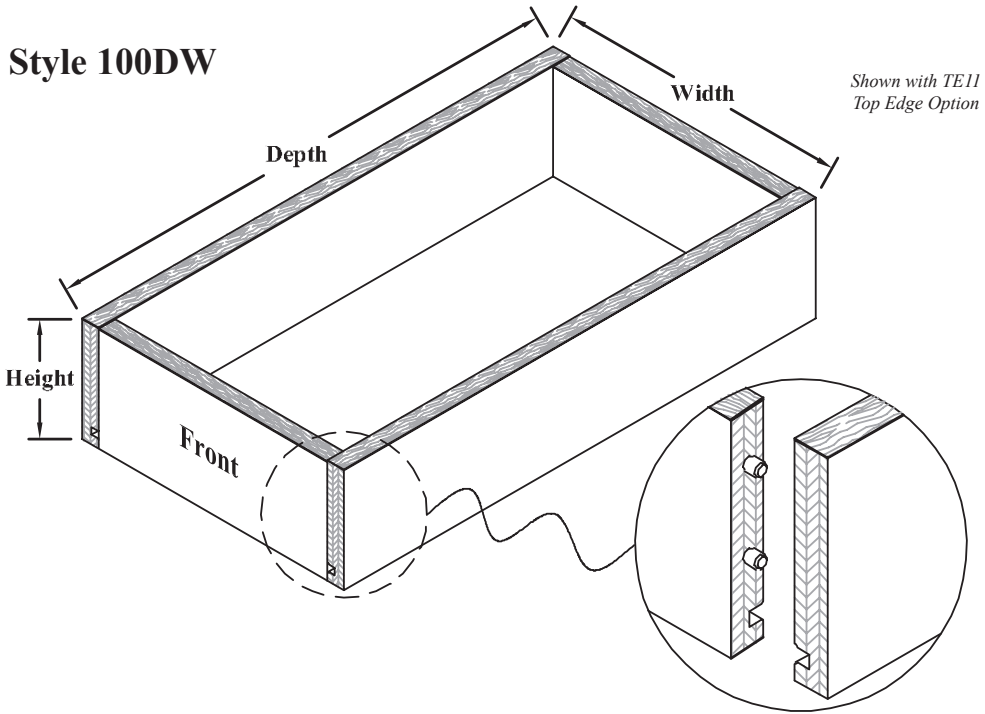
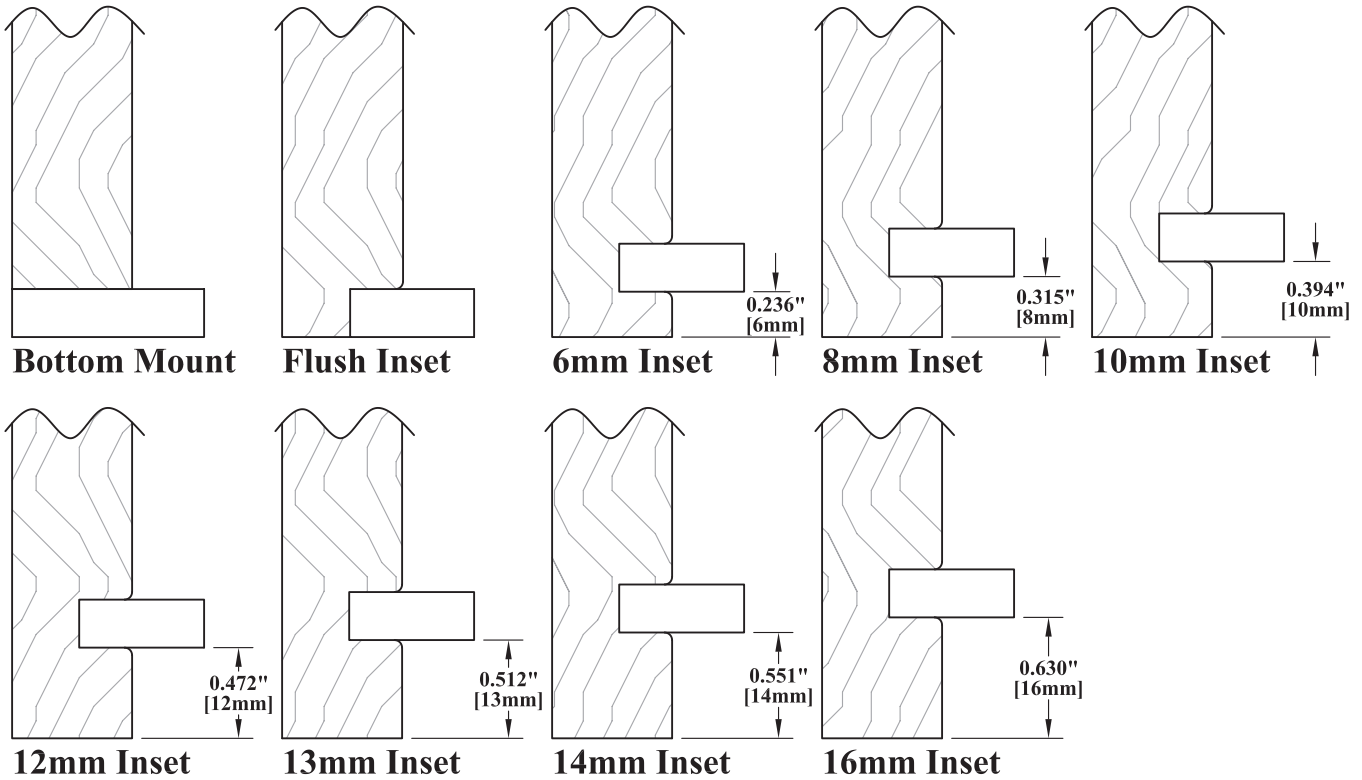


Style 100DW - Doweled Drawer Boxes (Plywood - Veneer Core, MDF Core & Baltic Birch)

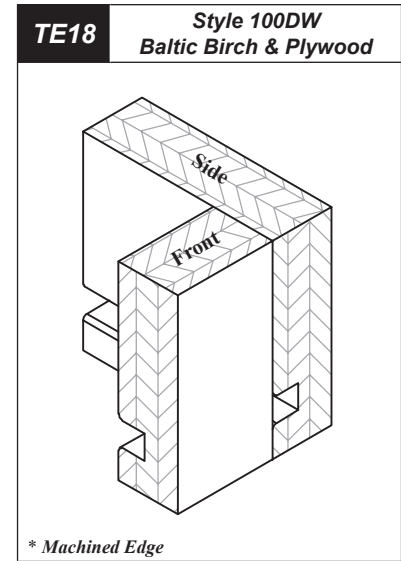
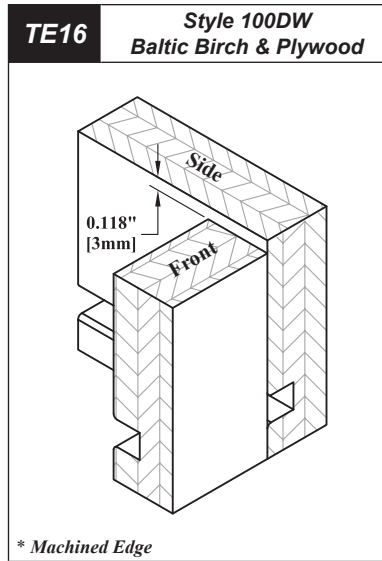
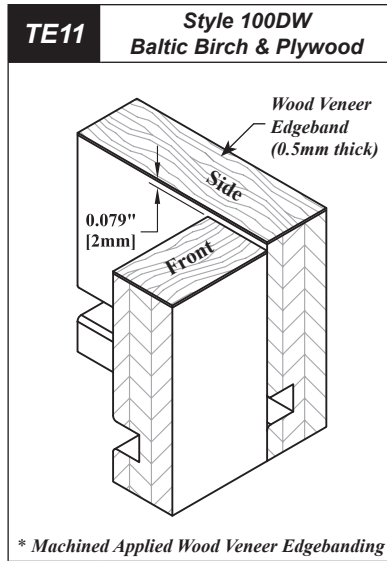


Style 100DW - Doweled Drawer Boxes - Bottom Panel Inset Options



► **For PRICING** ► See Section *H.2* in our Wholesale Pricing Catalog.

Style 100DW - Doweled Drawer Boxes - Top Edge Options



H

Ordering & Pricing Notes: Style 100DW - Doweled Drawer Boxes (Plywood)

Ordering Guidelines

1	Order Forms	Please use <i>Drawer Box Order Form (E-Z Form #4)</i> .
		Some drawer box options will require the use of the "Advanced Version" of the form.
Pricing		
1	Sidewall Material	Please see <i>Section H.2</i> of the Wholesale Pricing Catalog for pricing Front/Back/Sidewall material and Top Edge options.
2	Bottom Panel Material	Please see <i>Section H.5</i> of the Wholesale Pricing Catalog for pricing Bottom Panel material.

Technical Notes: Style 100DW - Doweled Drawer Boxes (Plywood)

Drawer Box Options (Chapter H)

1	Available Drawer Box Options	Available with all notching options. See <i>Section H.6</i> for more information.
		Scoop Front SC100 (Baltic Birch only, not available with edgebanding). See <i>Section H.7</i> .
		Accented Top Edge (Veneer core & MDF core plywood only, not available with Baltic Birch). See <i>Section H.10</i> .
		Laser Engraving (MDF core plywood only). See <i>Section H.11</i> .
		Shaped Side Patterns DBSP100 through DBSP500 (Baltic Birch only, not available with edgebanding). See <i>Section H.13</i> .
		Notched Patterns DPB101 through DBP104 . See <i>Section H.14</i> .
		Drawer Box Blocking for Release Clips DBB100 . See <i>Section H.7</i> .
2	Inside Corner Drawer Box Styles	Styles LS101 , LS102 & LS103 for Inside Corner (Lazy Susan) drawer boxes. See <i>Section H.16</i>

Notes continued on next page...

► For PRICING ► See *Section H.2* in our Wholesale Pricing Catalog.

Technical Notes: Style 100DW - Doweled Drawer Boxes (Plywood)...continued

Finish Options (Chapter R)

1	Natural / Clear Coat	A water base "Natural / Clear Coat (<i>no stain</i>) Finish" is available on assembled wood drawer boxes only. Not available with Ready To Assemble (RTA) drawer boxes..
		WalzCraft has used Water Base finish on drawer boxes since 2009.
		Water Base finish is Urea Formaldehyde Free.
		No finish is applied to the underside of drawer box. Underside can be finished upon request. Additional charges will apply.

Hardware Options (Chapter I)

1	Drawer Slide Release Clips	All assembled drawer box styles are available with undermount drawer slide release clips / locking devices installed. Please see Chapter I of the Product Specifications Catalog for more information.
---	----------------------------	----------------------------------------------------------------------------------------------------------------------------------------------------------------------------------------------------------------------

Material Options

1	Material	Doweled drawer boxes are available in Veneer Core Plywood, MDF Core Plywood and Baltic Birch plywood.
2	Budget / Value Grade	WalzCraft has established the grade "BG" to indicate a "Budget / Value Grade" of material. Budget grade materials include mineral, sap, small glue-ups, and other characteristics common in whatever species you order. The wood is structurally sound and a good value if you are able to use them in your project.

Miscellaneous

1	Hot Melt Adhesive	Applied to the bottom of all drawer boxes for added strength, with the exception of boxes being built without bottom panels and boxes with DBN500 notching. Please see Section H.6 for more information.
2	Drawer Box Dowels	All doweled drawer boxes with 1/2" [12.7mm], 5/8" [15.9mm] or 3/4" [19.1mm] sidewall thickness use 6.0mm diameter x 13.0mm long dowels.

Ready to Assemble (RTA)

1	Ready To Assemble	Veneer Core and MDF Core Plywood and Baltic Birch doweled drawer boxes are available Ready to Assemble (RTA).
2	Customer Supplied Drawer Box Bottom	When ordering RTA drawer boxes and supplying your own bottom panel, please specify the Bottom Panel Inset Option you desire (see <i>previous page</i>) and the width of the Dado Groove based on your bottom panel thickness.
		Dado Groove Widths: None, .225" [5.7mm], .250" [6.4mm], .450" [11.4mm], .500" [12.7mm].
3	Notching	DBN500 is the only notching that is available with RTA drawer boxes.
4	Top Edge Options	TE11, TE16, TE18 only.
5	Finishing	Wood RTA drawer boxes are only available with WalzCraft's standard "Natural / Clear Coat (<i>no stain</i>) Finish". Not available with a water base finish.
6	Freight Costs	Ordering drawer boxes Ready to Assemble (RTA) may provide you savings in freight costs.
7	Dowels	When ordering a doweled drawer box RTA, dowels will be included.

Sizes / Dimensions

1	Sidewall Thickness	Available in 1/2" [12.7mm], 5/8" [15.9mm] and 3/4" [19.1mm] thicknesses.
2	Minimum & Maximum Sizes	Assembled drawer boxes built between the Maximum and Absolute Maximum sizes will be subject to an "Oversized" Drawer Box Assembly Charge, due to special handling requirements. See Section H.2 of the Wholesale Pricing Catalog for upcharges.
		Assembled and Ready to Assemble (RTA): Width: Minimum = 4 3/4" [120.7mm]. Maximum = 43" [1092.2mm]. Absolute Maximum = 60" [1524.0mm]. Depth: Minimum = 4 3/4" [120.7mm]. Maximum = 36" [914.4mm]. Absolute Maximum = 60" [1524.0mm]. Height: Minimum = 1 3/4" [44.5mm]. Maximum = 14 1/2" [368.3mm]. Absolute Maximum = 30" [762.0mm].
		Drawer boxes cannot exceed an absolute maximum <i>depth</i> of 48" [1219.2mm] when bottom panel grain direction is running left to right or a <i>width</i> of 48" [1219.2mm] when bottom panel grain direction is running front to back.

Notes continued on next page...

► For PRICING ► See Section H.2 in our Wholesale Pricing Catalog.

Technical Notes: Style 100DW - Doweled Drawer Boxes (Plywood)...continued

Top Edge Options

1	"TE11" Top Edge	<p>Top edge option is constructed with the front and back being 2.0mm shorter than the sides of the box and finished with a veneer edgeband 0.5mm thick.</p> <p>When ordering, please give the height dimension using the size for the sides.</p>
2	"TE16" Top Edge	<p>Constructed with the front and back being 3.0mm shorter than the sides of the box.</p> <p>All edges are square.</p> <p>When ordering, please give the height dimension using the size for the sides.</p>
3	"TE18" Top Edge	<p>Top edges are flush and square on all sides.</p>

► **For PRICING** ► See Section **H.2** in our Wholesale Pricing Catalog.