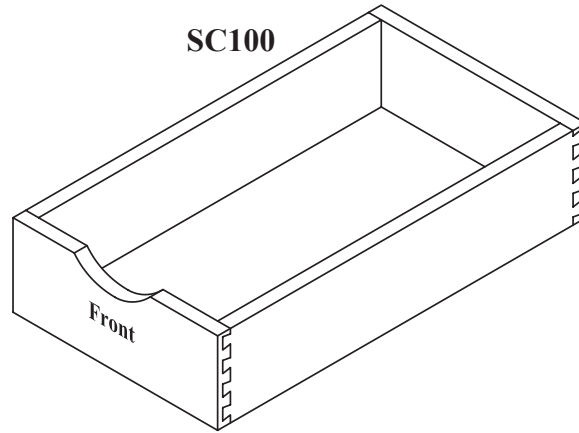


Drawer Box Scoop Option (SC100)



H

Notes: Drawer Box Scoop

Pricing

1	Pricing	Please see <i>Section H7</i> of the Wholesale Pricing Catalog.
----------	----------------	--

Ordering Guidelines

1	Order Forms	Please use <i>Drawer Box Order Form (E-Z Form #4)</i> .
----------	--------------------	---

Drawer Box Options (Chapter H)

1	Drawer Box Styles	Available with 100HB solid wood and Baltic Birch half blind dovetail drawer boxes. Also available with 100DW and 100NL drawer boxes in Baltic Birch.
----------	--------------------------	---

2	Accented Top Edge	The Drawer Box Scoop option is not compatible with the Accented Top Edge option (<i>Section H10</i>)
----------	--------------------------	--

3	Top Edge Options	All Top Edge Options shown in <i>Sections H1, H2 & H4</i> are available on their respective drawer box styles with the Scoop option, <i>except TE11 & TE14</i> (Scoop is not available with edgebanding). In cases where the TE Option is "hand routed" on both the face and the backside, you will also find that the scoop is routed on both the face and the backside. (ie: TE3 & TE5)
----------	-------------------------	--

Sizes / Dimensions

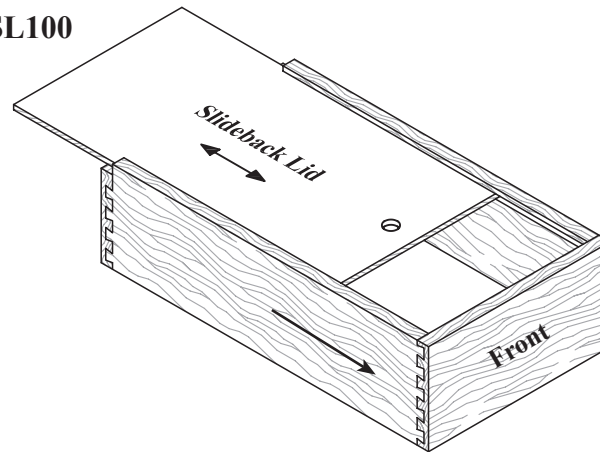
1	Scoop Dimension	Drawer Box Scoop Option SC100 is 5 $\frac{7}{8}$ "W x $\frac{7}{8}$ "H.
----------	------------------------	--

2	Minimum Box Size	The minimum width for a drawer box with the scoop option is 7".
----------	-------------------------	---

► **For PRICING** ► See *Section H7* in our Wholesale Pricing Catalog.

Bread Box Slideback Lid Option (BBSL100)

BBSL100



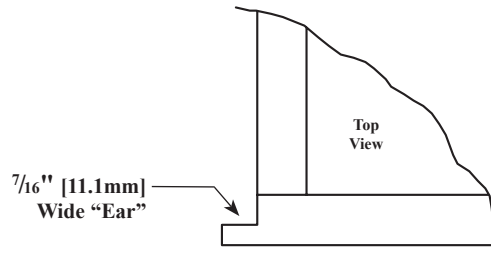
H

Notes: Bread Box Slideback Lid

Pricing	
1	Pricing Please see <i>Section H7</i> of the Wholesale Pricing Catalog .
Ordering Guidelines	
1	Order Forms Please use <i>Drawer Box Order Form (E•Z Form #4)</i> .
Drawer Box Options (Chapter H)	
1	Drawer Box Styles Only available on the 100HB solid wood half blind dovetail drawer box.
2	Top Edge Options Only available with TE2, TE4, TE6 and TE7 . See <i>Section H1</i> of the Product Specifications Catalog .
3	Drawer Box Notching Bread Box Slideback Lids are available with all Drawer Box Notching options with the exception of DBN500 . See <i>Section H6</i> of the Product Specifications Catalog .
Finishing (Chapter R)	
1	Finishing Bread Box Slideback Lids are available with a "Natural / Clear Coat (<i>no stain</i>) finish". Bread Box Slideback Lids are finished on 2-sides (2S).
General Information (Chapter A)	
1	Grain Direction Grain direction for slideback lids can be specified to run front to back, left to right or random.
2	Ready to Assemble (RTA) Not available with RTA (Ready to Assemble) constructed drawer boxes .
Materials	
1	Sliding Lid Material Bread Box Slideback Lids (BBSL100) are available in all of the same wood species as drawer box bottom panels (includes melamine). See <i>Section H5</i> of the Wholesale Pricing Catalog .
Sizes / Dimensions	
1	Top Thickness Available in ¼" thickness only.
2	Sidewall Thickness Available with sidewall thicknesses of ½", ⅝" and ¾".
3	Drawer Box Sizes Available on drawer boxes that are 22" wide or less.
4	Drawer Box Bottom Panel Bread Box Slideback Lids are only available on drawer boxes with ¼" thick bottom panels inset at 8mm, 10mm, 12mm or 13mm.
5	Groove Location Grooves for the Bread Box Slideback Lid will start at 8mm down from the top of the drawer box and will be applied to the sides and the front of the box.
6	Finger Hole Finger hole will be 1½" in diameter, set back ¾" from the front edge of the lid and centered on the width.

► For **PRICING** ► See *Section H7* in our Wholesale Pricing Catalog.

Drawer Box "Ear" Option



H

Notes: Drawer Box "Ear"

Pricing		
1	Pricing	Please see <i>Section H8</i> of the Wholesale Pricing Catalog.
Ordering Guidelines		
1	Order Forms	Please use <i>Drawer Box Order Form (E-Z Form #4)</i> .
Drawer Box Options (Chapter H)		
1	Drawer Box Styles	"Ears" are available on solid wood half blind dovetail drawer boxes (100HB) only.
2	Top Edge Options	All Top Edge options shown in <i>Section H1</i> are available on drawer boxes with "Ears", <i>except TE5 & TE14</i> . In cases where the TE Option is "hand routed" on both the face and the backside, you will also find that the "Ears" are routed on both the face and the backside (ie: TE3).
Miscellaneous		
1	Drawer Slide Placement	Please keep in mind that if using side mount drawer slides on a drawer box with "Ears", the slides will have to be set back the thickness of the "Ear" from the front of the box. Please consult drawer slide specifications for drawer box sizing and mounting information. Not compatible with under mount drawer slides.
Sizes / Dimensions		
1	Ear Extension	Drawer Box "Ears" extend $\frac{7}{16}$ " past the pullout sides.
2	Box Size	When ordering drawer boxes with "Ears", please order the box size without the "Ear" dimension added.
3	Ear Thickness	The "Ear" thickness varies depending on the thickness of the sidewalls. $\frac{1}{2}$ " sides - "Ears" are $\frac{1}{4}$ " thick. Front of drawer box will be $\frac{5}{8}$ " thick to allow for dovetail joint and $\frac{1}{4}$ " thick ear.
		$\frac{5}{8}$ " sides - "Ears" are $\frac{1}{4}$ " thick
		$\frac{3}{4}$ " sides - "Ears" are $\frac{3}{8}$ " thick.

► For PRICING ► See Section H8 in our Wholesale Pricing Catalog.