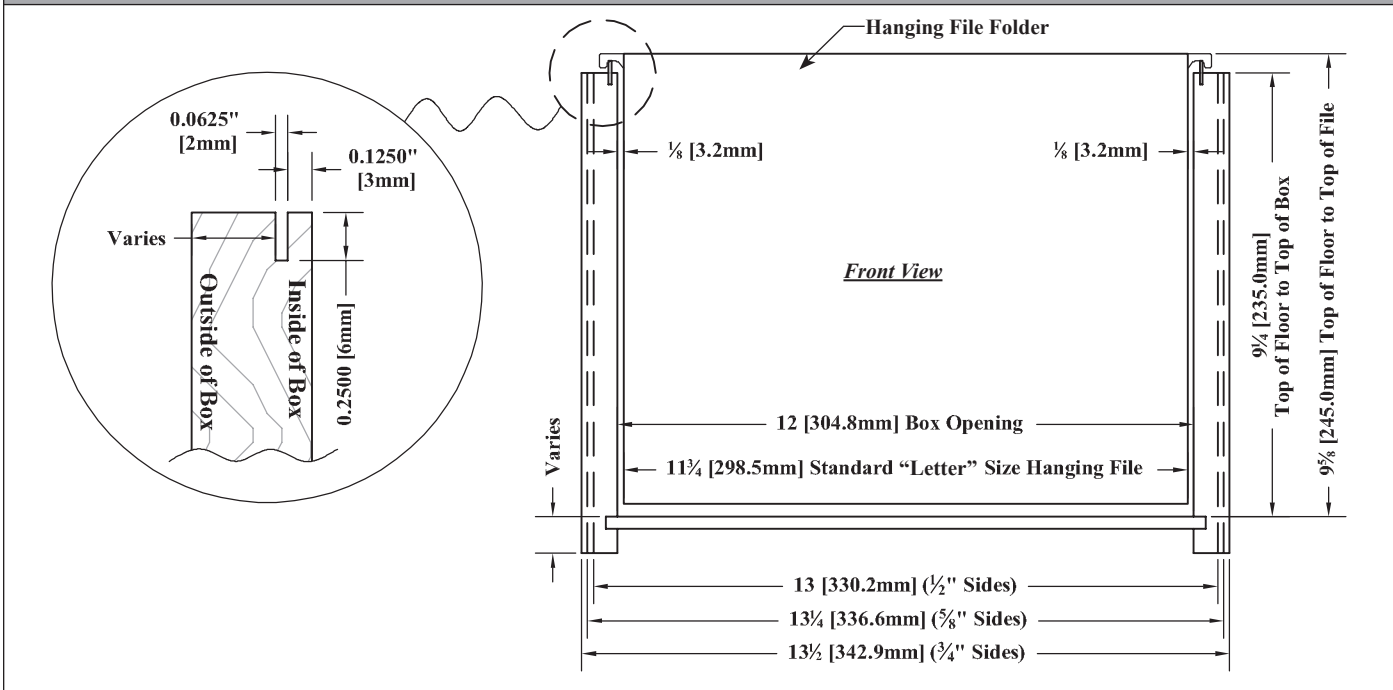


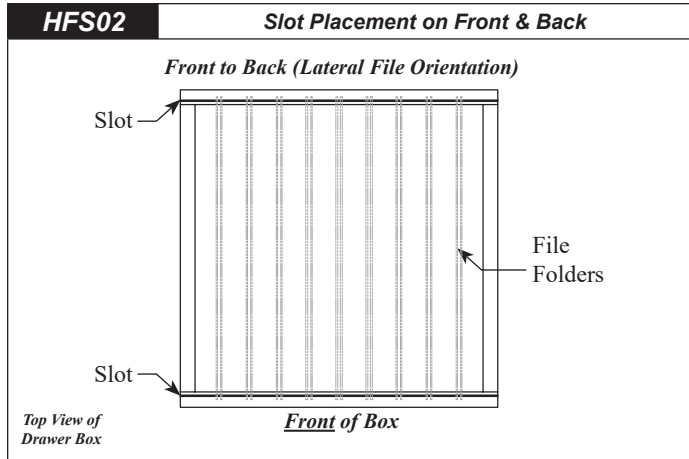
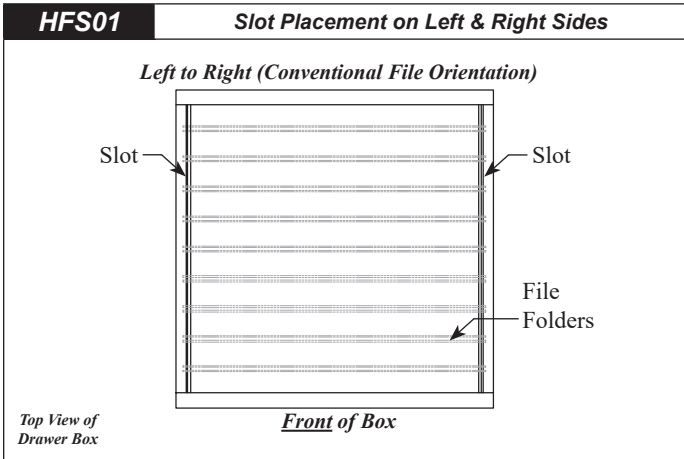
# Drawer Box Options

# Drawer Box Options - Hanging File Slot

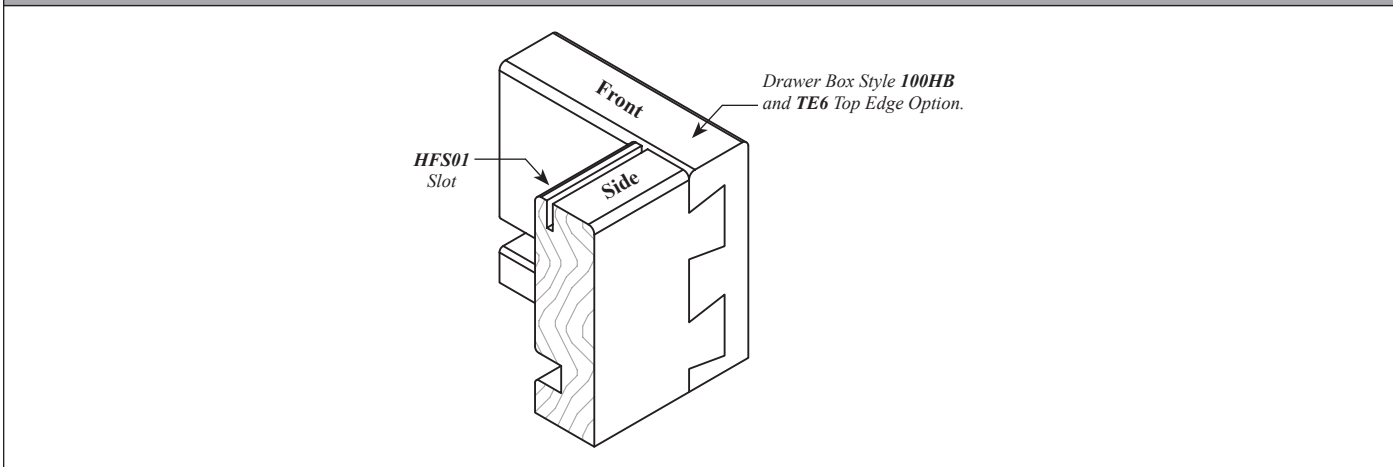
## Hanging File Slot Option



H



## Hanging File Slot Example with Drawer Box Top Edge Option TE6



► For PRICING ► See Section H.9 in our Wholesale Pricing Catalog.

**Ordering & Pricing Notes: Hanging File Slot**

**Ordering Guidelines**

1	<b>Hanging File Slot with Aluminum Bar Stock</b>	<p>To order the Hanging File Slot option on a drawer box, please note <b>Part #HFS01</b> or <b>#HFS02</b> in the <b>Special Instructions</b> column on the <b>Drawer Box Order Form (E•Z Form #4)</b>.</p> <ul style="list-style-type: none"> <li>• <b>#HFS01</b>: Slots will be applied to the left &amp; right sides of the drawer box (<i>conventional</i>).</li> <li>• <b>#HFS02</b>: Slots will be applied to the front &amp; back of the drawer box (<i>lateral</i>).</li> <li>• If you would like WalzCraft to provide “Cut to Size” Aluminum Bar Stock for your drawer box, please denote this as well.</li> <li>• Aluminum Bar Stock <i>will not be installed</i> in the slot; it will be packaged separately and shipped with the drawer boxes.</li> </ul>
2	<b>Aluminum Bar Stock</b>	Aluminum Bar Stock can be ordered separately and “Cut to Size” using <b>WCI Item #159741</b> on the <b>Moldings &amp; Miscellaneous Order Form (E•Z Form #5)</b> .
<b>Pricing</b>		
1	<b>Pricing</b>	Please see <b>Section H.9</b> of the Wholesale Pricing Catalog.

H

**Technical Notes: Hanging File Slot**

**Drawer Box Options (Chapter H)**

1	<b>Drawer Box Styles</b>	Only available on the <b>100HB</b> solid wood half blind dovetail drawer box.
2	<b>Top Edge Options</b>	<p><b>HFS01</b> only available with <b>TE4, TE6</b>. See <b>Section H.1</b> of the <b>Product Specifications Catalog</b>.</p> <p><b>HFS02</b> only available with <b>TE2, TE4, TE6, TE7</b>. See <b>Section H.1</b> of the <b>Product Specifications Catalog</b>.</p>
3	<b>Aluminum Bar Stock Placement</b>	<p><b>#HFS01 (Slot placement on Left &amp; Right side)</b>: Aluminum Bar Stock will be notched and extend ½" [12.7mm] beyond the opening depth at each end.</p> <p><b>#HFS02 (Slot placement on Front/Back)</b>: Aluminum Bar Stock will run the full width of the drawer box.</p>

**General Information (Chapter A)**

1	<b>Ready to Assemble (RTA)</b>	Available on both assembled and RTA (Ready to Assemble) drawer boxes.
---	--------------------------------	---

**Sizes / Dimensions**

1	<b>Sidewall Thickness</b>	Available with sidewall thicknesses of ½" [12.7mm], ⅝" [15.9mm] and ¾" [19.1mm].
2	<b>Minimum Drawer Box Height Formula</b>	<p>The following formula can be used to calculate the overall <i>minimum</i> drawer box height required to hold a letter size hanging file:</p> <p style="text-align: center;"><b>Letter Size File Folder = 9¼" + Bottom Panel Thickness + Bottom Panel Inset Dimension</b></p> <p>For a legal size hanging file folder, add <b>3"</b> [76.2mm] to width of letter size formula above.</p>
3	<b>Cabinet Opening Height</b>	<p>To determine the cabinet opening height for a hanging file drawer box you'll need to factor in:</p> <ol style="list-style-type: none"> <li>a) The distance between the bottom of the drawer box and the bottom of the cabinet opening.</li> <li>b) The height of any file tabs or labels that protrude beyond the top of the hanging file folder.</li> </ol>
4	<b>Aluminum Bar Stock</b>	Aluminum Bar Stock is ½" [12.7mm] high with a maximum length of 72" [1828.8mm].
5	<b>Slot Size Requirements</b>	The slot size required to install WalzCraft's Aluminum Bar stock is: ¼" Wide x ¼" Deep [1.6mm x 6.4mm].
6	<b>Slot Placement</b>	Standard placement is ⅛" [3.2mm] from the inside of the drawer.

► For PRICING ► See Section H.9 in our Wholesale Pricing Catalog.