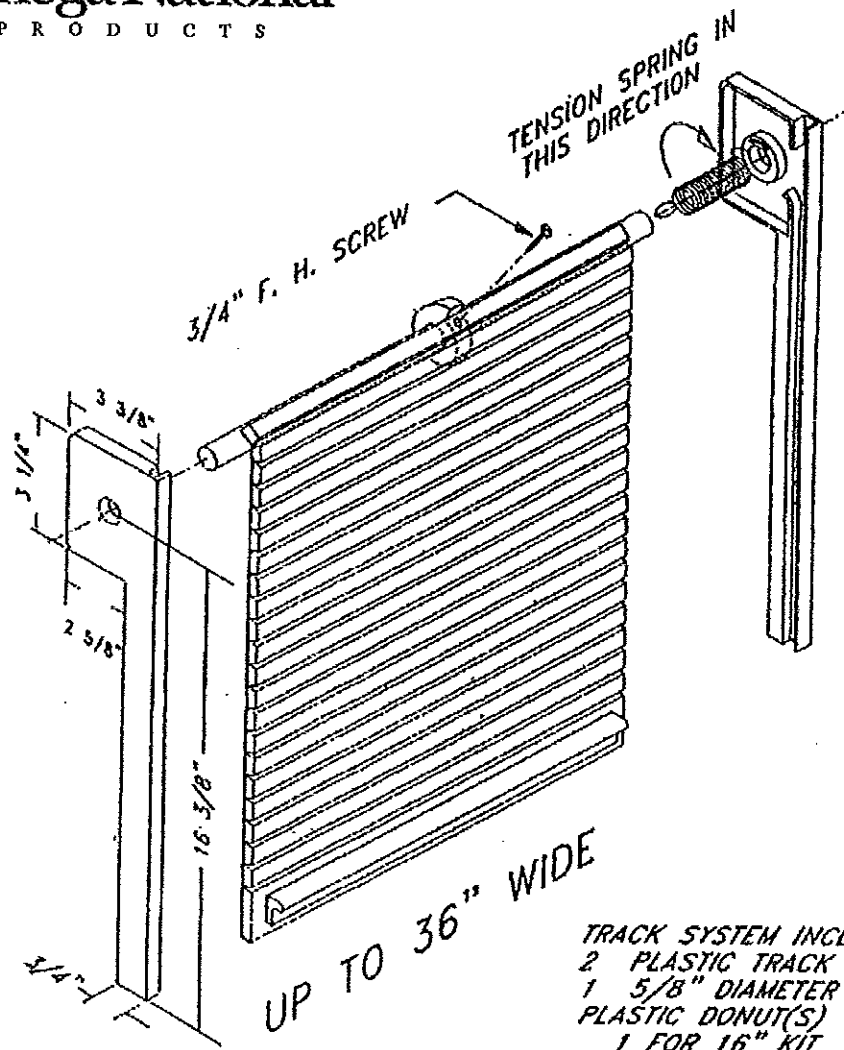




**Omega National**  
P R O D U C T S

Omega National Products, Co.  
900 Baxter Avenue  
Post Office Box 4368  
Louisville, KY 40204  
(602) 583-3038 Phone  
(602) 584-1022 Fax  
www.nationalproducts.com

## ST-3 SPRING TENSION TAMBOUR DOOR SYSTEM FOR FRAMELESS APPLICATIONS



TRACK SYSTEM INCLUDES:  
2 PLASTIC TRACK GUIDES  
1 5/8" DIAMETER DOWEL WITH SPRING  
PLASTIC DONUT(S)  
1 FOR 16" KIT  
2 FOR 24" KIT  
3 FOR 30" & 36" KITS  
NOTE: 36" KITS INCLUDE A REVERSE SPRING  
FOR THE OPPOSITE END OF DOWEL

### FEATURES:

- \* SPRING TENSION ALLOWS FOR FULL CONTROL OF THE TAMBOUR DOOR FROM THE TOP TO THE BOTTOM.
- \* AVAILABLE IN 16", 24", 30" & 36" WIDTHS
- \* CAN BE FLUSH MOUNTED OR RECESSED IN ROUTED POCKET FOR FRAMELESS CABINETS

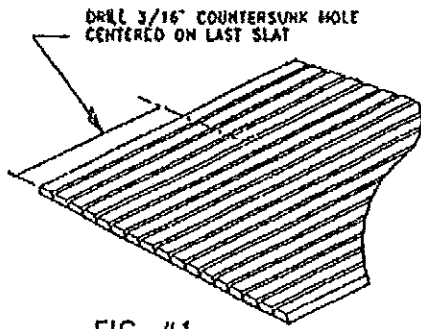


FIG #1

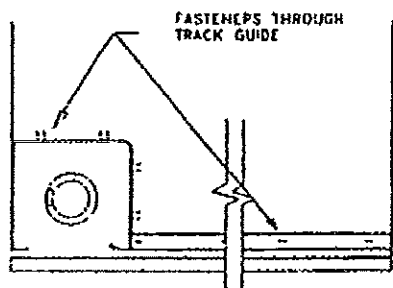


FIG #2

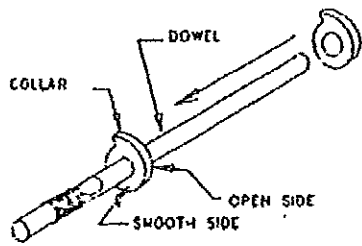


FIG #3

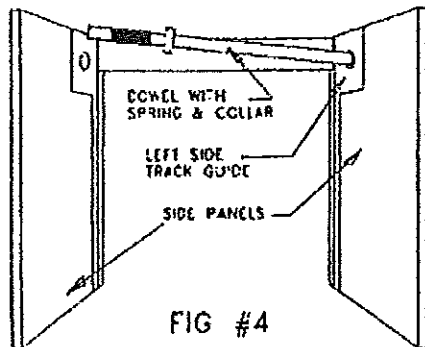


FIG #4

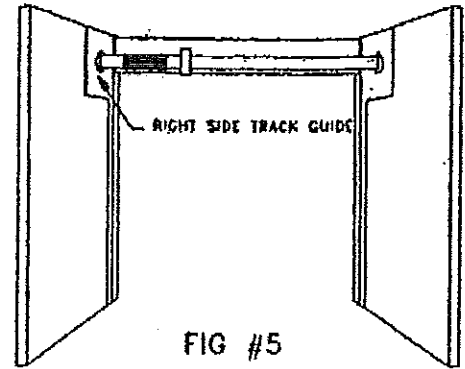


FIG #5

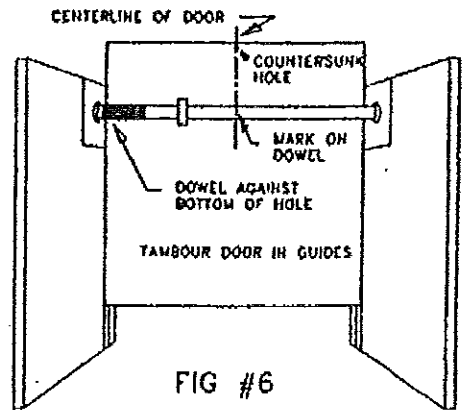


FIG #6

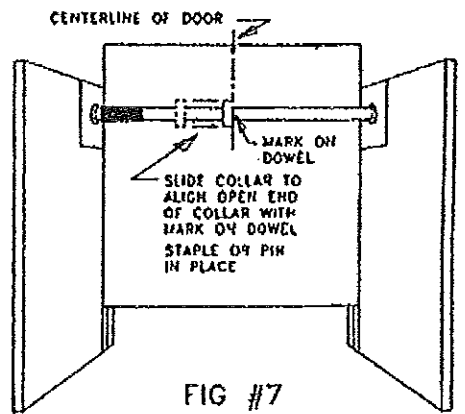


FIG #7

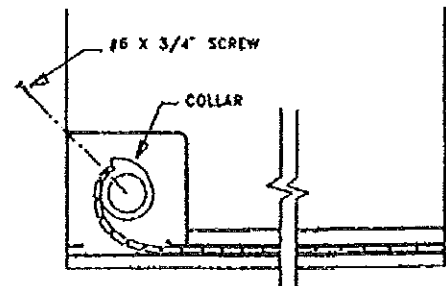


FIG #8

# INSTALLATION INSTRUCTIONS

## GENERAL INFORMATION: ST-3

Maximum Tambour door thickness is .220". Minimum Tambour door height is 18". Maximum recommended Tambour door width is 36". The kit supplied to you has all the necessary components for the width of door ordered (16", 24", 30", 36").

These instructions are written for a frameless cabinet or appliance garage. The system can be used with a face frame type cabinet by stapling the unit flush against the cabinet sides. When used with a frameless cabinet, the ST-3 track system should be stapled into routed pockets. Flush mounting is not aesthetically appealing. Since the track system is mounted flush with the plane of the side panels, in all but the most unusual instances, access to insert the Tambour door and tension the track system will be difficult. It may be necessary for you to plan your installation so that the appliance garage is assembled completely, then moved into position or that the cabinet is planned so that you have access through the back of the cabinet to insert and tension the Tambour door.

**Step 1:** Cut the Tambour door to width. Recommended width is the width of the opening plus 7/16". This will allow for a small amount of play in the track system.

**Step 2:** Cut the Tambour door to height. Recommended height is 18" if the standard length plastic guides are used. Note: For shorter openings, both the Tambour and the plastic guides may be shortened to suit the opening.

**Step 3:** Drill a 5/32" or 3/16" countersunk hole through the center of the top slat of the Tambour door (FIGURE #1). Countersink the hole only enough to accept the 6 X 3/4" flat head screw supplied.

**Step 4:** Make sure that the Tambour door is thoroughly flexed. **THIS IS MANDATORY!** The system will not work if the Tambour door is not completely flexed. Every single groove must be checked and bent 180° if necessary to insure flexibility.

**Step 5:** Use staple or pin fasteners, 7/16" to 1/2" to attach the guides in the routed grooves. The fasteners are not positioned in the track groove itself, but through the elevated section of the guide paralleling the track groove (FIGURE #2). Use about four fasteners paralleling the track groove. Use another four fasteners to secure the rectangular

portion of the top of the guide to the rout. **CAUTION!** The fasteners must be inserted at an angle, through the side wall of the track guide so that the long fasteners do not penetrate the side panels.

**Step 6:** Cut the dowel rod 9/16" longer than the width of the opening. Slide the collar onto the dowel to within about 2" from the spring, with the smooth side of the collar toward the spring (FIGURE #3). Next slip the end of the dowel opposite the spring into the hole in the LEFT SIDE plastic guide, LEFT is marked at the top of the track groove. Then slip the spring end of the dowel into the RIGHT track guide hole (FIGURE #4 and #5).

**Step 7:** With the door in the track groove, screw hole in the door at the top, slide the dowel toward the spring end until it is at its right most position (buted against bottom of the guide rout). Mark the dowel even with the screw hole in the Tambour door. This mark is used to locate the collar (FIGURE #6).

**Step 8:** Slide the collar along the dowel until the open side of the collar is aligned with the mark you placed on the dowel (FIGURE #7). Secure the collar to the dowel with a 1/2" staple or pin. This prevents slippage during final assembly.

**Step 9:** Position and attach your handpull to the lower end of the Tambour door. This acts as a stop and is necessary to prevent the door from raising too far.

**Step 10:** Wind up the spring by turning the dowel in the direction that will cause the spring to engage the slotted opening in the RIGHT track guide. Four or five turns of the spring will be all that is necessary to cause smooth and easy operation.

**Step 11:** While the spring is wound up, insert the 6 X 3/4" flat-head screw through the hole in the top of the Tambour door, into the hole in the collar and drive the screw in till it is flush with the surface of the Tambour door (FIGURE #8). **DO NOT** make the screw tight. Snug it up then back it off about 1/2 a turn.

Your door should operate easily and smoothly at this point.