

WalzCraft®

Product Specifications & Wholesale Pricing Catalog

Table of Contents

Product Profiles

Center Panel Profiles
Mitered Door Profiles

Outside Edge Profiles
Stile & Rail Profiles

General Information

General Catalog Information
MSDS Sheet

Veneer Descriptions
Wood Specie Descriptions

Product Drawings & Specifications

Accent Components
Appliance Garages & Appliance Panels
Applied Moldings
Bread Boards & Cutting Boards
Canopy Moldings
Center Panel Face Routing (CPFR)
Center Panels Only & Glued Up Panels
Combination Doors
Combination Outside Edges
Curved Products
Decorative Inserts
Distressing
Drawer Boxes
Drawer Fronts
Face Frame Products
Finger Pulls
Finishing
Fluted Moldings
Half Lap Doors
Hinge Boring
Laser Engraving
Lattice Doors
Lazy Susan Doors
Louvered Doors
MDF & RTF Doors
Mitered Doors

Modular Displays & Dealer Aids
Molding Profiles
Passageway Doors
Plate Display
Plywood End Panels & Sheet Goods
Quarter & Half Circle and Gothic Doors
Radius Corners
Range Hood Designs
Rosettes & Plinth Blocks
Shelves & Cabinet Accessories
Slab & Batten Doors
Solid Wood Doors
Stile & Rail Face Routing (SRFR)
Surfaced Lumber
Valances
Veneer Edgebanding
Veneer Inlays
Veneered Flat Panel Doors
Veneered Slab Doors
Wainscot Valances
Wine Rack Products
Wood Frame & Mullion Doors
Wood Wainscot



WalzCraft®.com



(Phone) 1-800-237-1326 7:00AM - 4:30PM CST (24 Hour Fax) 1-608-781-3667

General Information

"Ordering from WalzCraft is easy!"

One Door Orders Welcome

WalzCraft is oriented toward serving small to medium-sized companies. We will accept orders of any quantity, even one door or drawer front. Verbal phone orders are welcome.

Customization/Configuration

Options are a must in today's competitive business market. Your customers demand quality, craftsmanship, creativity and variety; a statement of both individuality and artistry. We at WalzCraft can help meet your needs. Most items you order from us are tailored to your exact specifications. This process is called "configuration", which is the combining of product and characteristics; and production processes to create components customized to each customer's expectation. This results in precision and efficient production. Our configuration expertise/software allows us to combine:

- 91 Lumber Grades
- 72 Panel Profiles
- 139 OutsideEdge Profiles
- 46 Stile and Rail Profiles
- 27 Stain Colors
- 14 RTF Foil Colors

along with hundreds of styles to provide you with literally *thousands* of designs.

To Identify Pricing Information

★ **Watch For This Special Box!** ★

This box, with the dotted border and stars in the upper corners, is used throughout the catalog to show pricing information.

Metric Orders Welcome/Preferred

WalzCraft's entire manufacturing operation uses millimeters to calculate component part sizes.

- Using millimeters eliminates rounding issues, during the conversion from inches to millimeters.
- Order to the nearest whole millimeter.
- Order to the nearest 1/32", if ordering in inches.
- When your installation calls for an inset application, we recommend ordering in millimeters.

1 Inch = 25.4 mm

Measurements

When communicating dimensions, no adjustment is made to the size you provide. To ensure consistency order *exact* sizes, *using this format*, on the order form.

- Doors.....**Width then Height**
- Drawer Fronts.....**Width then Height**
- Drawer Boxes.....**Width then Depth followed by Height**

Ordering and Order Forms

Verbal phone orders are welcome.

- By telephone during normal business hours, Monday through Friday, 6:00 a.m. - 4:30 p.m. Central Standard Time, using our toll free number, 1-800-237-1326.
- Fax, 24 hours a day, seven days a week.
- Email to orderdept@walzcraft.com.
- U.S. Mail, United Parcel Service or Federal Express to the address listed below.
- Orders received after 4:30 p.m. Central Standard Time will be processed on the next working day.
- Orders lacking information required for processing **will be withheld** from the production schedule until specifications are clarified.

For the most current Order Forms:

- Visit our web site at www.walzcraft.com.
- Click on **DYNAMIC Order Forms**.
 - > Complete the form and e-mail your order.
 - > Print the forms, and hand write to fax or mail.

Your Customer Number

A WalzCraft Customer Number will be assigned *after* your first contact with us to:

- Ensure accuracy in accommodating the entry of quotes or orders; and when posting payments to your account, by noting your Customer Number on your payment stub.
- Provide quick and easy access to your customer information in our computer.
- A Customer Number does not imply that credit terms have been approved.

As a quick reference we have provided a space, inside the front cover of this catalog, to document your Customer Number.

WalzCraft®

2600 Hemstock Street

P.O. Box 1748

La Crosse, WI 54602-1748

Phone: 1-800-237-1326

24 Hour Customer Support Fax: 1-608-781-3667

Accounting Fax: 1-608-783-0926

Web Site: <http://www.WalzCraft.com>



WalzCraft®
.com



(Phone) 1-800-237-1326 7:00AM - 4:30PM CST (24 Hour Fax) 1-608-781-3667

General Information

New Industry Leading Delivery Times

Email Addresses

- To Place Orders: orderdept@walzcraft.com
- For product and catalog questions:
customersupport@walzcraft.com
- For questions about non-catalog items:
noncatalog@walzcraft.com

Production Scheduling

- When placing an order with WalzCraft, you have the option to run it on our **Standard Lead Time (SL)** schedule or our **Quick Ship (QS)** schedule.
- **Quick Ship orders are subject to a 30% upcharge.**
- To indicate the production schedule that suits your needs, mark an **X** in the appropriate box on our order form:

Production Schedule SL QS

If neither box is checked on the order form, your order will be produced on our Standard Lead Time schedule.

- All Quick Ship order requests are individually reviewed by our Production Scheduler to determine the lead time based on complexity and daily production schedules.
- Orders lacking information required for processing **will not be scheduled** until specifications are clarified.
- Lead Times for **Non-Catalog** products, (*ie: complex wainscots, parts with radiuses, angles or odd shapes*) cannot be determined until all engineering details are agreed on by WalzCraft and the customer. Once questions are answered and manufacturing guidelines are defined, our production scheduling team will estimate the lead time and schedule your project.
- **“Quick Ship” refers to manufacturing lead times only.** You must indicate the need to expedite shipping in the
- “Shipping Preference” area on the order form. Orders containing product with varying lead times, will be produced on the production schedule with the longest lead time.

Estimated Completion Dates

- Estimated completion dates are printed at the bottom of each order acknowledgment. Our goal is to produce your order within this date range.
- Estimated completion dates are not guaranteed, and may vary due to incoming order volume, material availability, capacity or other unforeseen factors.
- Please allow adequate time for delivery when scheduling installation.

Order Acknowledgment

- Order acknowledgments are routinely faxed, emailed or mailed, on all **SL** (Standard Lead Time) Orders and **by request only** on Quick Ship orders.
- Please review these very carefully and notify our staff immediately of any discrepancies, so appropriate corrections can be made prior to going into production.
- Some orders could possibly go into production within a matter of hours after receipt. **Charges will be incurred, for changes requested, after an order is released for production.**

Order Changes & Change Charges

- **Once in production, lead times may be compromised.**
- Due to “*short lead times*” your order could go into production the same day it is received. Changes can be accommodated up until the manufacturing paperwork is generated.
- **If parts cannot be modified to meet your needs**, you are required to take delivery of all original items and will be billed at their normal cost.
- We will expedite orders for these replacements, and apply a 30% discount to their cost.
- Change charges will be applied and pro-rated based on the completion level of your order.

★ **Minimum Change Charge per Order** ★

Order Price Acknowledgment

To request an Order Price Acknowledgment when placing an order:

- Mark the box on the Order Form that says: **Proceed with Order / Send Order Price Acknowledgment.**
- **Order** boxes on the Order Form.
- Also available for orders currently in production.
- Freight Charges & Applicable Sales Taxes are not included.

Quotes

To request prior to placing an order:

- Mark the **Please Call with Quote** box on the Order Form.
- Freight Charges & Applicable Sales Taxes are not included.
- Quotes will be honored 30 calendar days from the receive date on the quote.

Remakes

If WalzCraft makes a mistake on your order:

- We will expedite the items, by producing them on our Quick Ship Order Schedule.
- Replacement items are shipped back to you, via the shipping method originally used, at **no additional charge.**



WalzCraft[®].com



(Phone) 1-800-237-1326 7:00AM - 4:30PM CST (24 Hour Fax) 1-608-781-3667

General Information

Credit Checks & Payment Terms

- Credit checks are done prior to processing your first order.
- Your Social Security Number will be requested for a credit check.
- If you request that a credit check “not” be run, the only payment options available are Prepaid Credit Card, or Prepaid Certified Check or Money Order.

Payment Policy & Payment Methods

- Due to custom built sizes and specifications, we require full payment upon delivery.
 - **Prepayment may also be required prior to scheduling an order; due to the cost of the order, or due to a less than desirable credit report. You will be notified if prepayment is required.**
 - Payment options available when **prepayment** is not required:
 - Company Check
 - Visa, MasterCard, Discover or American Express
 - COD, Certified Check or Money Order only
 - COD, Company Check
 - WalzCraft is set up to accept your company check payments through our **CHAX** program. **CHAX** is a computer software program that allows you to fax your check for payment rather than mailing it. **Please call our Accounting department to have CHAX instructions sent to you.**
 - Funds will be authorized, prior to charging to a credit card.
 - When charging to a credit card, you have 30 days to make payment, and need not be present to pay for a COD when product is delivered. (This does not apply to shipments via common carrier.)
 - You may request an application for Net 30 Day terms by contacting our Accounting Support Team at: 1-800-237-1326.
 - A good business relationship is determined by your purchase and payment history. Based on this, open account references and credit worthiness, Net 30 Day terms may be granted.
- * Please allow several weeks to process your credit application. Upon completion a response will be mailed to you. Net 30 Day terms require payment to be received and posted to your account within 30 days of the invoice date; not to be confused with the statement date.**

Service Charges

- Posted to account, 31 days after original invoice date.
- Billed by separate invoice.
- Appear on monthly statement.
- Service charges are **not** negotiable.

“Purchase dovetail drawer boxes!”

Shipping

WalzCraft prides itself in manufacturing high quality products within a delivery time frame that is second to none in our industry. WalzCraft will only ship its’ product via “WalzCraft” approved shipping companies that have Mission Statements comparable to ours, thus the reason we do not use third party logistics companies.

- **Order Shipping Options:**
 - FedEx Ground ▪ Common Carrier ▪ UPS ▪ Spee•Dee (some Midwestern states only) ▪ See “Hold for Pickup” guidelines on *page 9*.
- Freight charges for items shipped UPS, FedEx Ground or Spee•Dee will appear on your invoice. (All charges are F.O.B. La Crosse, WI.)
- Items shipped Common Carrier will be sent freight collect. Common Carriers require payment (*by separate check*) for freight/delivery charges regardless of WalzCraft invoice terms.
- **WalzCraft will not be liable for products that are delayed due to the actions of any shipping or freight carrier.**
- Size of the order, or items shipped, determine the shipping method. Items larger than 165 girth inches cannot be properly packaged meeting UPS/FXG standards and will ship via common carrier. (170 girth inches is the maximum to ship via Spee•Dee.)

To calculate girth inches...

If door width is less than height: ((width X 2) + 8) + (height + 5) = Girth Inches

If door width is greater than height: ((height X 2) + 8) + (width + 5) = Girth Inches

Shipping Damage/Damage Claims

- Inspect packages for damage upon receipt. If there is no visible damage to a package or skid, note “**Subject to Inspection for Internal Damage**” on freight bill.
- Accept damaged packages, and indicate damages on freight bill. **No notation** generally results in denial of the damage claim by the carrier. Refusing delivery will cause delay in processing damage claims.
- Notify Customer Support of damaged product.
- Damaged items are replaced immediately, at no charge.
- Replacement items are shipped, via the shipping method originally used.

In an effort to minimize business expenses, WalzCraft will process all shipping damage claims. Claims must be filed within 10 calendar days of delivery and include the following information:

- Tracking or Bill of Lading numbers.
- Date product was received.
- Name of the carrier delivering package.
- Original packaging material must be kept for inspection.
- Repack damaged item in original box, with original packaging material positioned as it was when the box was opened.
- Shipper will decide if the package should be returned, to WalzCraft or held by shipper, until claims are processed.



WalzCraft[®].com



(Phone) 1-800-237-1326 7:00AM - 4:30PM CST (24 Hour Fax) 1-608-781-3667

General Information

“Northern Grown Hardwoods”

Sample Products

- 6" Sample Moldings are available in Maple *only*.
- All “Traditional”, “Mirror”, “Old World” and “Mitered” Stile & Rail Profiles with a groove for the center panel.
- Veneer Edgeband.

Sample Doors

If you are interested in seeing a certain door style, a particular wood species, grade or finish color, we suggest ordering a sample that can be used on your job site.

- 30% discounts may be granted on single samples or displays for showrooms. Non-catalog items ***are not eligible*** for a discount. ***We reserve the right to limit Sample and Display orders based on your yearly purchases.***
- Single Samples are labeled to identify the style, wood species / grade and options. Labels may be shipped loose by request.
- A 12"Wx15"H door can be easily handled & transported in one of our Hard or Soft Sided Sample Cases.
- Attaching door & drawer front samples with steel dowels is available and should be ordered at the following sizes to fit in our larger Soft Sided Sample Case, doors should measure 12"Wx15"H & the drawer fronts 12"Wx6"H.
- See our *Web Site* for outside edge compatibility, due to the steel dowel attachment.

★ Steel Dowel Connection: Charge/Pair ★

Sample Color Blocks

- Constructed using 3 glue ups, *see molding #1288*, to provide a more realistic color comparison to that of a center panel in a door.
- Readily available in the following wood species, but are not offered in any specific grade: Alder, Birch, Cherry, Hickory, Maple and Red Oak.
- Other wood species are available upon request, but are not offered in specific grades. If a specific wood specie/grade is preferred, consider ordering a sample door or an 8" glued up panel, to best represent the color.
- Includes all stain & SolidTone color options available, for the wood specie requested.
- Samples are labeled to identify the wood specie, stain or SolidTone color and manufacturing date.
- WalzCraft's standard set of Glaze Color Blocks consists of a variety of the most popular wood species, color and glaze combinations along with Rub Throughs, and are not offered in specific or single wood species or grades. A single color block may be ordered if a specific color/glaze combination is desired on a particular wood specie, but not available in a specific grade. When ordering our standard set, please use **Part #151655**.
- **24 month life expectancy for Alder, Birch, Hickory, Maple and Red Oak.** We recommend ordering new samples, if the current date exceeds the “Manufacturing Date” by more than 2 years.
- **12 month life expectancy for Cherry.** We recommend ordering new samples, if the current date exceeds the “Manufacturing Date” by more than 1 year.

Dealer Aids

Protect your investments with a sample case. These are a great tool for in-house sales calls and organizing your presentation. We offer both hard and soft sided cases.

Samples doors are not included in cost of sample cases.

★ See our Specification Catalog for pricing. ★

Hard Sided Door Case

- **Part Number 136274.**
- Exterior - Dark Brown Vinyl
- Interior - Black Fabric Lining
- Holds 7 - 12"W x 15"H sample doors & a 3- ring binder, which ***are not included*** with case.

Soft Sided Door Case

- **Part Number 136273.**
- Embroidered WalzCraft Logo
- Exterior - Black Cordura, padded with closed cell foam
- Interior - Black Nylon
- Holds 4 - 12"W x 15"H sample doors, note pad, and a WalzCraft brochure, which ***are not included*** with case.
- Heavy duty zipper closer
- 2" Hand strap and adjustable shoulder strap

Soft Sided Door/Drawer Front Case

- **Part Number 137525.**
- Case accommodates (4) - 12"W x 21"H sample **doors or (4) attached door & drawer front samples conjoined by steel pins**, with an overall dimension of 12"W x 21"H. When ordering attached door & drawer front samples doors should measure 12"W x 15"H and the drawer fronts will be 12"W x 6"H.
- ***Samples are not included with the case, nor in the cost.***
- Embroidered WalzCraft Logo
- Exterior - Black Cordura, padded with closed cell foam
- Interior - Black Nylon
- Heavy duty zipper closer
- 2" hand strap and adjustable shoulder strap
- See our *Web Site* for outside edge compatibility, due to the steel pin connection.

Refacing Products

WalzCraft offers many quality products for Cabinet Refacers.

- High quality Cabinet Doors and Drawer Fronts, Dovetail Drawer Boxes, Sheet Goods, Refacing Stock, Moldings, Valances and other Accent Accessories.
- Available Unfinished or Prefinished.
- Complete line of MDF products for SolidTone colors or primed for paint.
- RTF products.
- See our Refacing Products Quick Index.



WalzCraft.com



(Phone) 1-800-237-1326 7:00AM - 4:30PM CST (24 Hour Fax) 1-608-781-3667

General Information

"The best warranty in the industry!"

New Products

New products and options are added almost daily. If there is something you are looking for and it does not appear in this catalog, please call our Customer Support Team to see if it might be available as a non-catalog item.

Wholesale Pricing Method

- Pricing includes the cost for a center panel, stiles & rails and most outside edge profiles.
- Most items are priced by the square foot. If an item is priced using a different method, it will be noted on that particular profile or in that product section.

To price a door:

- Select your door style.
- Find the Price Class printed below each door.
- Cross reference the wood specie and grade with the appropriate price class on the pricing tables.
- Multiply the square footage of the door, by the square foot price to arrive at your wholesale cost.

Please remember to add charges for non-standard parts, oversized product or other options required for custom detailing as listed throughout this catalog.

Traditional Door & 5 Piece Drawer Front Pricing

Use this formula to calculate square footage.

STEP 1) W (in inches) x H (in inches) = Total sq. in.

STEP 2) Divide total square inches by 144, round off to the nearest one hundredth of a square foot.

Example: Door size is 13"W x 26"H
 $13 \times 26 = 338$
 $338 \div 144 = 2.35$ square feet

Note: 1 square foot minimum per piece for pricing

Slab & RP Drawer Front Pricing

Use this formula to calculate square footage.

STEP 1) W (in inches) x H (in inches) = Total sq. in.

STEP 2) Divide total square inches by 144, round off to the nearest one hundredth of a square foot.

Example: Drawer Front size is 12"W x 5"H
 $12 \times 5 = 60$
 $60 \div 144 = .42$ square foot
 Round up to $\frac{1}{2}$ square foot

Note: $\frac{1}{2}$ " square foot minimum per piece for pricing

Please do not confuse minimum for pricing with minimum size. The 1 square foot minimum for 5 piece doors & drawer fronts, and the $\frac{1}{2}$ square foot minimum for slab and RP style drawer fronts, are for pricing only.

1" Doors & Drawer Fronts

Most wood species and grades are available in 1" material. A 5/4" door will finish at 1.00" thick. *See upcharge below.*

★ **Price Calculation For 1" Thick Products** ★

Drawer Fronts, Face Frame Stock and Glued Up Panels have a specific price class for a 1" thickness.

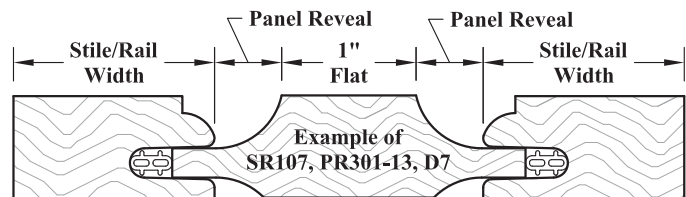
ADD: 30% to the $\frac{3}{4}$ " Square Foot Price for products where a specific price class is not indicated.

Minimum Size Doors

Traditional Doors & Drawer Front Construction

Minimum widths and heights are listed under each door style line drawing. **Listed below are standard part sizes and reveals used to determine minimum sizes.**

- Standard stile and rail size 2 $\frac{1}{4}$ "
- Center panel profile reveal 1 $\frac{1}{4}$ "
See Center Panel Profiles shown in our Specification Catalog.
- A 1" flat surface is maintained on the face of a center panel.



The following sections demonstrate how to order Traditional doors and drawer fronts; below their minimum size allowance, by using reduced center panel profile reveals and non-standard stiles & rails.

Reducing Center Panel Profile Reveals

To determine a minimum door size, based on the width of the center panel profile reveal, make the following adjustments to the minimum door size listed beneath each door.

If the Center Panel Profile Reveal is . . .

- 2" wide Add 1 $\frac{1}{2}$ " to minimum door size
- 1 $\frac{1}{4}$ " wide Use minimum door size listed
- 1" wide Deduct $\frac{1}{2}$ " from minimum door size
- $\frac{3}{4}$ " wide Deduct 1" from minimum door size
- $\frac{1}{2}$ " wide or less Please see next page . . .

Minimum Length: Top/Bottom Rail or Center Stile/Rail



WalzCraft.com



(Phone) 1-800-237-1326 7:00AM - 4:30PM CST (24 Hour Fax) 1-608-781-3667

General Information

*"Can't find what you're looking for?
Just call 1-800-237-1326 and we'll help you!"*

Minimum Size Doors...continued

Minimum Length: Top/Bottom Rail or Center Stile/Rail

- The *minimum length* for a solid wood top or bottom rail and center stile or center rail is 2 $\frac{1}{8}$ "; therefore we *can not use normal guidelines for reducing* below our minimum size limitations when the *center panel profile reveal* is equal to or less than $\frac{1}{2}$ " wide. (ie: PR324-10, PR309-13.)

Non-Standard Parts

- Reducing the width of Traditional and MDF/RTF stiles or rails, gives you the ability to order doors smaller than the printed minimum sizes.
- Minimum width, at the narrowest point, for an outside stile or rail is 1 $\frac{1}{4}$ ".
- Minimum width for a center stile/rail or a stile requiring hinge boring is 1 $\frac{3}{4}$ " and 2" for any stile/rail "GRF" profile.
- WalzCraft *will not be responsible* for determining non-standard part sizes. You must specify the sizes required for your construction needs.
- When using non-standard stiles & rails, the minimum distance for the flat surface between the stile & rail profile and the outside edge profile is $\frac{3}{16}$ ".
- Some outside edges and stile & rail profiles may not be compatible if you reduce stile & rail parts to their minimum size.
- *Please see the chart on our Web Site to determine your outside edge dimension.*
- Wainscot, mitered doors and mitered drawer fronts are *not* subject to non-standard part charges.
- If a Traditional door is ordered smaller than the minimum size and changing the panel profile or reducing the stiles and rails will not allow mortise and tenon construction, the door could be made as a slab or raised panel drawer front. The outside edge may match that of the edge used on your doors; the wood grain may also run parallel with the grain in the center panel of the doors.

★ ADD: Charge per Non-Standard Part ★

Left & Right Door Style #'s 2100, 2121 and 3131

Due to the radius and corner block construction on these doors, the Stiles & Rails and Panel Profile reveals *cannot* be reduced to allow ordering below the minimum door sizes listed.

Minimum Size Doors...continued

MDF/RTF Doors and Drawer Fronts

- The minimum width and height, is listed just above the pricing grid on each page that displays door or drawer front styles.
- Non-Standard part upcharges, *do* apply to MDF/RTF Doors & Drawer Fronts.

★ ADD: Charge per Non-Standard Part ★

- MDF doors have a maximum width of 48" and a maximum height of 96".
- RTF doors have a maximum width of 40" and a maximum height of 90".

Oversized Doors

- *Oversize upcharges do not apply to frame, mullion or MDF/RTF doors.*
- Doors **over 14 square feet** are considered oversized.
- All solid wood doors with a **center panel 32" or wider** or any **slab doors 32" or wider** will be considered oversized. **MDF and Horizontal Grain are excluded.**
- **Adding a center stile** in doors with oversized center panels will help minimize warpage; in adding a center stile the Oversized Panel upcharge would then *not* apply.
- **Adding a center rail** in doors over 48" high will add stability.
- **Doors over 48" high**, ordered *without a center rail* will have *no warranty* against width bowage. WalzCraft *will not automatically add a center rail.* Door Style #8505 is the only exception due to the construction of this Passageway door and minimum size requirements.

Upcharge When Over 14 Square Feet per piece:

Solid Wood Doors = See our Specification Catalog
Veneered Flat Panel Doors = See our Spec Catalog

Oversized Panel Upcharge 32" or Greater in Width

Add per square foot, per piece upcharge that applies.

*This does not apply to Veneered Flat Panel and
MDF/RTF doors.*

★ Additional Center Stile or Rail Upcharges: ★

Raised Panel Doors = See our Specification Catalog
Flat Panel Doors = See our Specification Catalog



WalzCraft[®].com



(Phone) 1-800-237-1326 7:00AM - 4:30PM CST (24 Hour Fax) 1-608-781-3667

General Information

"Our 24 hour fax is 1-608-781-3667"

Warranty

General Warranty

WalzCraft warrants that its products are manufactured and sold free from defect for one year from the date of shipment. The beauty of *natural* wood products does allow for natural characteristics of the specie to show. **WalzCraft will not warrant wood grain color, wood grain patterns and finish colors from one order to the next.** For maintaining continuity in color, grain and character, we recommend that you order complete kitchens. When adding items to a completed project and matching a previous order is a concern; we **highly recommend** that you send a sample with your order.

Wood products must expand and contract; thus tolerances have been engineered into all of our wood products which provide an allowance for normal movement.

WalzCraft will not be liable for damage done to product due to improper handling and cleaning; or if product is stored 2 weeks beyond the date received without properly sealing and top coating. WalzCraft will not warrant any defects that could have been prevented by the customer, such as improper surface prep for a product that is to be finished.

When wood products are stored and / or come into direct contact with moisture, one can expect to find that the expansion of component parts is far greater than engineered ranges would normally allow. This expansion forces joints to open and / or cause permanent joint failure in all wood products.

WalzCraft will not warrant any product that has been stored and / or subjected to moisture.

This warranty covers only the replacement of the product produced by WalzCraft and the shipping charges to and from our facility.

This warranty does not cover any installation or removal, labor or travel time of any kind, nor any related products used with our products.

To minimize the risk of damage in transit, we may recommend using a crate to package some items being shipped via Small Package Carrier, due to size and the degree of complexity and / or difficulty to manufacture. We will make every attempt to notify you, prior to shipping, when a crate is recommended.

WalzCraft will not warrant product against shipping damage should you deny the use of a crate. The customer will be liable and bears sole responsibility for the cost of such remakes and / or any replacement of component parts.

All WalzCraft products are manufactured in LaCrosse, Wisconsin with the exception of some components that may be outsourced.

Warranty...continued

Unfinished Products Warranty

Due to the natural expansion and contraction process that can be expected in wood products, we suggest you properly seal unfinished products within 2 weeks of receipt.

We recommend all wood products be kept in a controlled environment throughout the year, where the relative humidity level is maintained at around 40%. If you are applying finish materials to any product supplied by WalzCraft, please inspect them carefully prior to doing so. To apply a finish material would imply that you accept the product as suitable for the finish. If in doubt of a product's suitability for finishing, we suggest you contact us or test the finish on one item rather than finishing an entire job. If unfinished product needs to be remade, WalzCraft will not be liable for any costs related to finishing.

Please note that stile and rail joints may open slightly during the yearly heating and cooling cycle. This movement is normal and will not be considered for a no charge remake.

Warranty on Add-On Orders

WalzCraft will not warrant wood grain color, wood grain patterns and finished colors from one order to the next. If matching a previous order is a concern; we **highly recommend** that you submit a sample with your order.

Warranty on Product Finished by WalzCraft

Having products finished by WalzCraft is at the discretion of the customer; however, with any quality finish there will be wearing and aging that will occur with the maintenance of the product. **WalzCraft will not warrant products that have been exposed to abrasive chemicals, solvents, extreme ultraviolet light and moisture.**

Warranty on Product Finished by Others

WalzCraft products are engineered to allow for proper expansion and contraction of the center panel during changes in climatic conditions. **We will not warrant product if the application of a stain, glaze or other finishing material hinders or does not adequately allow for proper expansion and contraction; nor will we provide warranty for product that is improperly stored, prepped or left unfinished beyond 2 weeks from the date of delivery.**

RTF Warranty

High heat may cause the foil material to delaminate from the MDF core. We recommend that you inform your customer of this so efforts can be made to protect the product from high temperatures. **WalzCraft will not warrant any product that has delaminated from exposure to high temperatures.** We will warrant the colorfastness of the RTF foil for one year. All other provisions of the general warranty also apply to the RTF doors.



WalzCraft[®].com



(Phone) 1-800-237-1326 7:00AM - 4:30PM CST (24 Hour Fax) 1-608-781-3667

General Information

"Best warranty in the business!"

Warranty...continued

Veneered Products Warranty

Due to the nature of veneered materials, slight color variations may appear after finishing when compared to solid wood products. **WalzCraft makes every attempt to stain match between veneered and solid wood products on your project within an acceptable color range.** It is recommend that you stand at least 6 to 8 feet away from finished product when viewing. When refacing, solid wood stock should be used on the fronts of cabinets for the best color match. Using a "Spray No Wipe" stain process on Birch, Cherry, Maple and Pine doors and drawer fronts with a veneered center panel is recommended for a more consistent blotch free look.

Applied Molding Attached by Others

Applied moldings that are pinned or glued to a center panel will not allow for proper expansion and contraction of the wood. **WalzCraft will not warrant product that has been glued or pinned to the center panel.**

Glued Up Panel Expansion/Contraction

Due to the inherent expansion and contraction of wood, please note that any product with a glued up panel over 24" wide will carry no warranty. This includes but is not limited to: raised panel doors, slab & batten doors, wainscots, appliance panels, GUPFS's & Center Panels Only.

Door Joints

Door joints will expand and contract to adapt to temperature and humidity changes in the environment. These changes make door joints more susceptible to visible gaps. These gaps may be further enhanced when a Spray No Wipe or SolidTone finish is applied. A .010" (.254mm) gap, is considered normal. We recommend all wood products be kept in a controlled environment throughout the year, where the relative humidity level is maintained around 40%. **WalzCraft will not warrant product that has been stored in an environment with high humidity or has been left improperly prepped and unfinished beyond 2 weeks from the delivery date.**

Products For Exterior Use

We do not recommend use of our products in an exterior environment. Tolerances are engineered for interior use only.

Tolerances

Size Tolerances

WalzCraft warrants the outside dimensions of all products to be within a size tolerance of +/- 1 mm. All component parts of an assembled product will have a size tolerance of +/- 2mm.

Tolerances

Warpage Tolerances

All doors, drawer fronts, glued up panels and center panels 24"W and 48"H or smaller, will have an allowable warpage tolerance of 1/8" and any of these items over that size will have a 1/4" warpage tolerance. All products with glued up components over 24"W, measured across the grain/glue-ups will carry no warranty against warpage.

Doors over 48" high that are ordered without a center rail will have no warranty against width bowage, this does not apply to frame and mullion doors. All doors greater than 72"H will carry no warranty against warpage and bowage.

Door Construction

Many factors are taken into consideration when determining the method a door is constructed. On occasion, you may find some WalzCraft doors to be pneumatically pinned to hold the joints together while the glue dries. The pins are driven below the surface of the wood on the backs of doors. The small hole left by the pin is *not* filled with putty. Pinless doors are kept on a clamp, under pressure, until the glue has set and no pins are required. Some applied moldings may also be attached with small headless pins.

Panel Matching

Our main focus is on color and grain match on the face of the panel. Panels are not matched with any regard to the direction of the growth rings in the lumber. Most panels are composed of wood from several different boards, so the need to control growth ring orientation is not as critical.

Center Rail Placement

Certain double panel doors, such as Styles 1000 and 8000, are shown as 60/40 split and 50/50 split, which refers to the center rail placement. In the case of a 60/40 split, the upper panel is the larger panel and makes up 60% of the total visual opening space; the lower panel makes up 40%. In the case of a 50/50 split, the total visual opening space is divided equally. **To specify custom placement of a center rail, the distance from the top of the top rail, to the top of the center rail is required to configure & manufacture the door.** Please indicate this placement in the Special Instructions area on the order form.



WalzCraft[®].com



(Phone) 1-800-237-1326 7:00AM - 4:30PM CST (24 Hour Fax) 1-608-781-3667

General Information

“Northern Grown Hardwoods”

Non-Catalog Products/Pricing

Non-catalog items that our specialists can help you with are custom profiles to match existing cabinet designs, complex wainscot panels and angled components.

If you are in need of non-catalog items, please fax or call in your requests to our Customer Support Team. Drawings can be e-mailed to noncatalog@walzcraft.com. Requests are submitted to our Non-Catalog Team and Engineering Department for consideration prior to manufacturing. Once approved, someone from our Non-Catalog Team will work with you to engineer your project from start to finish.

Standard profiles are noted throughout the catalog on certain items. Varying from these profiles is considered non-catalog, and additional design charges may apply.

We pride ourselves in having Engineering Specialists and skilled craftsmen here to help you get through nearly any project. Due to their complexity, certain designs carry additional set up and engineering charges, which are reviewed on a per order basis. *Non-catalog items are quoted and require approval prior to proceeding with your project.*

We reserve the right to decline requests for quotations or decline orders based on complexity and/or our current workload.

Specifications & Price Changes

- The technical information presented in this book with regard to dimensions and drawings is not binding.
- WalzCraft reserves the right to improve designs, and to change specifications without notice.
- WalzCraft product pricing is subject to change without notice. We also reserve the right to pass along temporary and/or non-negotiable (energy/economic related) surcharges that are assessed by our suppliers, that cannot be predicted.
- This publication supersedes all prior technical, policy, customer support and pricing data.

Grain Direction



- Arrows throughout the catalog indicate standard grain direction.
- Grain direction may be specified at *no* additional cost.
- Standard grain direction on door styles shown without an arrow, would be vertical.

Technical Information

As of the printing of this catalog, all technical information is believed to be accurate. For the most current technical information, please visit our *Web Site*.

Pressure Sensitive Products

- Referred to as peel and stick veneer.
- For flawless results, we recommend that you use a smoothing blade versus a J-roller when applying this material. (A J-roller will *not apply* enough pressure to achieve an intimate bond.)
- A **Veneer Smoothing Blade** is available for purchase from WalzCraft.

“Green” & Environmental Products

WalzCraft is committed to informing our customers of the Green and Environmentally Friendly choices and opportunities available from us. By educating each other and working together, we can provide new ideas and products that meet a common goal of producing and purchasing more wisely. To learn more about “Green” Products offered by WalzCraft, visit our website at WalzCraft.com.

Return Packaging Corners

- Die Cut Foam Corners are used for packaging product. If you accumulate 100 or more of these from WalzCraft, we will recycle them for you at *no charge*.
- Place corners in used WalzCraft boxes.
- Notify us and we will issue a call tag to have them picked up.



WalzCraft[®].com



(Phone) 1-800-237-1326 7:00AM - 4:30PM CST (24 Hour Fax) 1-608-781-3667

General Information

"One Stop Shopping for your Finishing Needs!"

Return Pallets for Reuse

- If you have an accumulation of 48" x 40" interlocking fiber/chipboard pallets from WalzCraft deliveries, we will recycle them for you at *no charge*. You will incur no land fill charges and we will be able to help control future costs.
- *Pallets must be bundled in stacks, no less than 50 pieces, be kept indoors and dry.*
- When shipping pallets back to WalzCraft via common carrier, please ship them freight collect, **Classification Code 70**, or call our Purchasing Department and arrangements will be made for the pallets to be picked up.

MSDS For Wood Dust

The Occupational Safety and Health Administration (OSHA) has established wood dust as a recognized health hazard in its Hazard Communication Standard (29 CFR 1910.1200). In our Specification Catalog you will find a copy of a Material Safety Data Sheet on wood dust. The emergency CHEMTREC phone number is (800) 424-9300.

Hold For Pickup

If you would like your order held for pickup at our facility, indicate this in the *Shipping Preference* area: **A Hold for Pick Up**, on your order form or tell our WalzCraft Customer Support Specialist when you place your order.

- We recommend that finished doors and drawer fronts be wrapped in kraft paper.
- Our staff will notify you when your order is ready for pickup. Pickup hours are 7:00 a.m. to 3:00 p.m., Central Standard Time, Monday through Friday. If you have not been contacted, **please confirm that your order is complete before scheduling a pickup.**
- **Orders are required to be picked up within 10 working days from the date of completion, or there will be a per day storage fee assessed.**

Foam Packaging Return Program

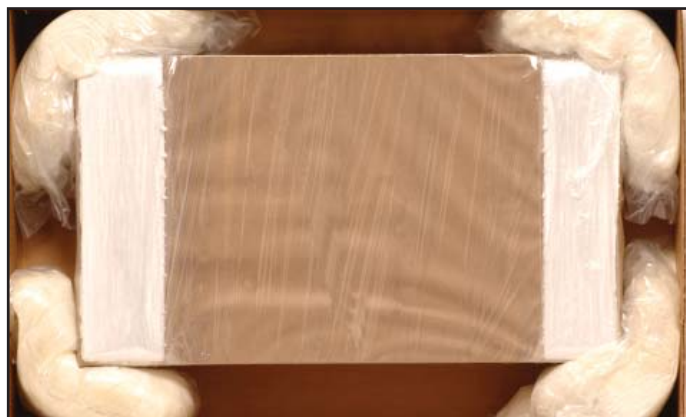
Instapak® foam used in our packaging can be returned to various Sealed Air sites located across the United States. A complete list of these sites is available on our website at **WalzCraft.com**, click on the Resources tab to access Forms and Information.

Packaging Fees - See Next Page

In our packaging operation, our main objective is to insure that products shipped from WalzCraft reach you intact. To do so we prefer to grant our packaging department the latitude, to determine the best way to package your orders. When placing an order, **please X the Best Way box** in the Packaging Method space on the order form, and WalzCraft will make the decision for you.

You also have the option to select your shipping and packaging preference. If you chose to do so, please reference the **Packaging Fees** chart on the next page, to insure that the packaging method (PM1 - PM12) selected, is compatible with your preferred shipping method. Oversized product or large quantities may require PM9 or PM11.

We reserve the right to upgrade any packaging method that is deemed to be inadequate, based on shipping preference and product replacement costs.



Copyright

© Copyright 1996-2009, WalzCraft Industries, Inc.

.....

★ **Packaging Fees** ★

• The packaging fee is a percentage of the net cost of your order, **with a minimum charge per order**. Please reference the factors in the “% Added To Order” rows on the **Packaging Fees charts**, to determine your packaging costs.

• *Crate costs are added to regular packaging fees.*

• *Freight charges are not included in packaging fees.*

.....



WalzCraft.com



(Phone) 1-800-237-1326 7:00AM - 4:30PM CST (24 Hour Fax) 1-608-781-3667

General Information

"Outstanding Quality at Competitive Prices."

Packaging Fees

The packaging fee is a percentage of the net cost of your order **with a minimum per order**. The minimum charge *does not apply to sample orders*.

<i>Unfinished</i>			Small Package Carrier	<i>Prefinished</i>	
Packaging Method	PM6	PM7		Packaging Method	PM7
Kraft Wrapped		X		Kraft Wrapped	X
Boxed	X	X		Boxed	X
Foamed	X	X		Foamed	X
% Added To Order	4½%	5½%		% Added To Order	5½%

Common Carrier								
<i>Unfinished</i>								
Packaging Method	PM3	PM5	PM6	PM7	PM8	PM9	PM11	PM12
Kraft Wrapped		X		X	X			
Boxed			X	X	X			X
Foamed			X	X	X			X
Palletized	X	X			X			X
Crated						X	X	
% Added To Order	3%	4%	4½%	5½%	7½%	Charge Per Hand Crate	Charge Per Pallet Crate	6¾%

<i>Prefinished</i>					
Packaging Method	PM5	PM7	PM8	PM9	PM11
Kraft Wrapped	X	X	X		
Boxed		X	X		
Foamed		X	X		
Palletized	X		X		
Crated				X	X
% Added To Order	4%	5½%	7½%	Charge Per Hand Crate	Charge Per Pallet Crate

*"Per Crate"
costs are
added to
regular
packaging
fees.*

Pickup											
<i>Unfinished</i>											
Packaging Method	PM1	PM2	PM3	PM4	PM5	PM6	PM7	PM8	PM9	PM11	PM12
Unprotected	X										
Kraft Wrapped		X		X	X		X	X			
Boxed				X		X	X	X			X
Foamed						X	X	X			X
Palletized			X		X			X			X
Crated									X	X	
% Added To Order	0%	1½%	3%	3%	4%	4½%	5½%	7½%	Charge Per Hand Crate	Charge Per Pallet Crate	6¾%

<i>Prefinished</i>								
Packaging Method	PM1	PM2	PM4	PM5	PM7	PM8	PM9	PM11
Unprotected	X							
Kraft Wrapped		X	X	X	X	X		
Boxed			X		X	X		
Foamed					X	X		
Palletized				X		X		
Crated							X	X
% Added To Order	0%	1½%	3%	4%	5½%	7½%	Charge Per Hand Crate	Charge Per Pallet Crate

*"Per Crate"
costs are
added to
regular
packaging
fees.*



WalzCraft.com

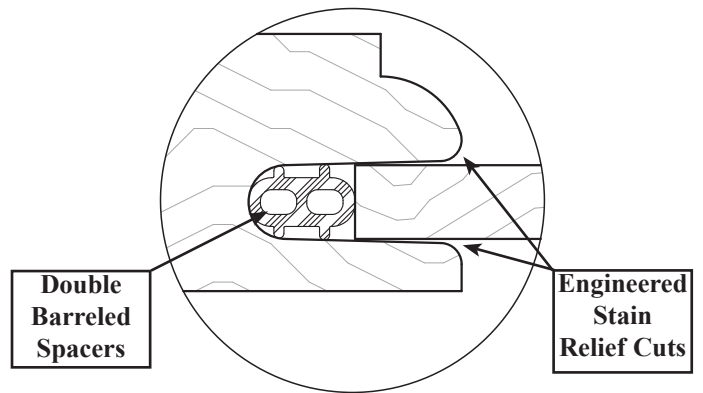
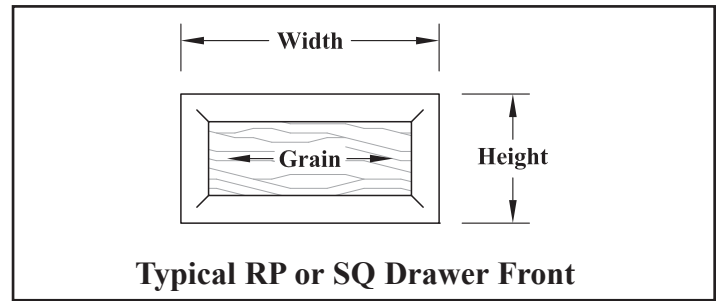
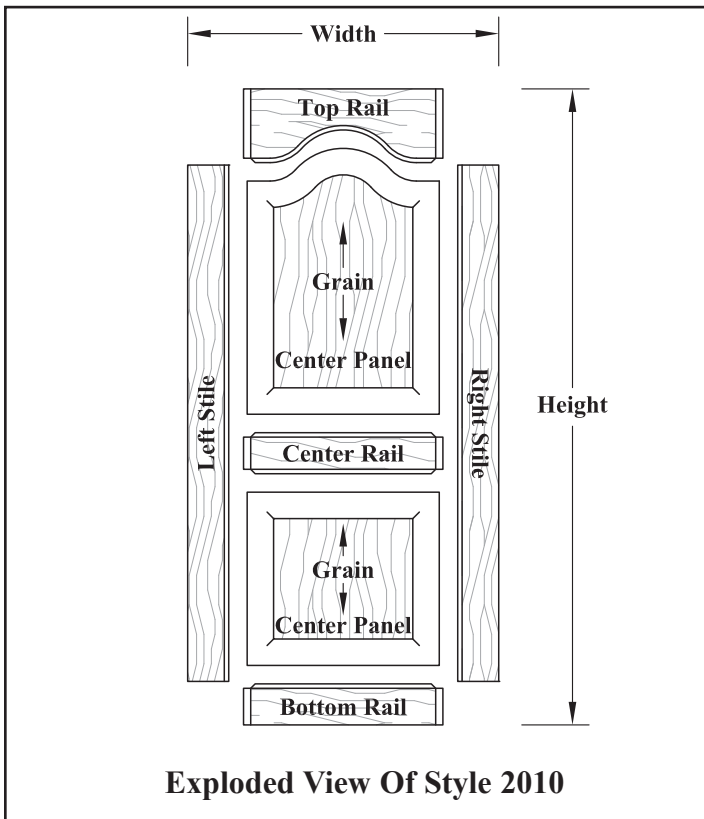


(Phone) 1-800-237-1326 7:00AM - 4:30PM CST (24 Hour Fax) 1-608-781-3667

General Information

“Where Custom Made Quality Begins”®

Door & Drawer Front Parts/Grain Direction

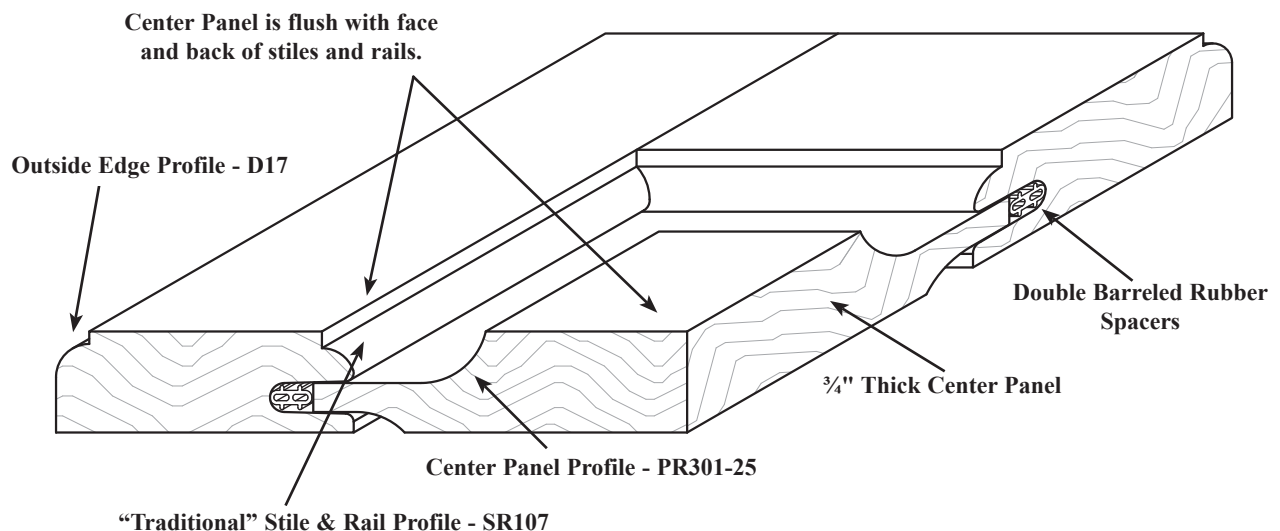


This engineered relief allows the finish to flow underneath the stile & rail profile, helping to prevent raw material from becoming exposed during the natural process of expansion and contraction in the panel.

3/4" - “Traditional” Door Construction (Typical Construction)

Typically the stiles & rails on a 3/4" thick “Traditional” door will be 2 1/4" wide and 3/4" thick. The center panel is 3/4" thick and flush to the stiles & rails on the face and back side of the door as detailed in the illustration below. *Drawing is not to scale.*

A 1" thick “Traditional” door will also have 2 1/4" wide stiles & rails and will be 1" thick however, the center panel will only be 5/8" thick. Please refer to the 1" Traditional door illustration on the next page.



WalzCraft.com



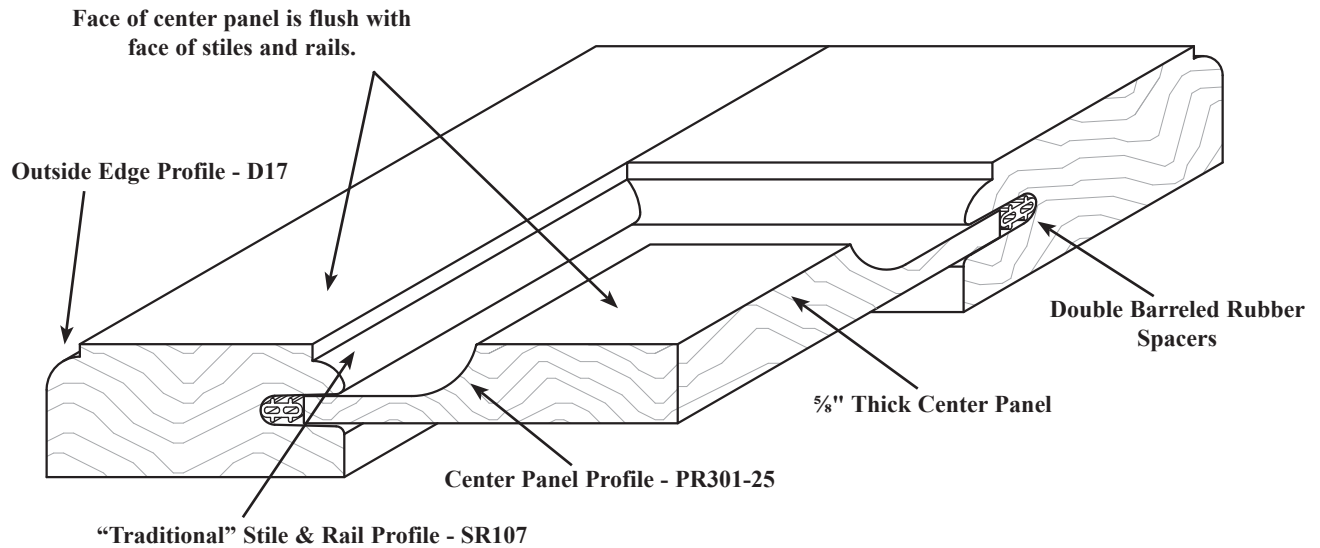
(Phone) 1-800-237-1326 7:00AM - 4:30PM CST (24 Hour Fax) 1-608-781-3667

General Information

“For a quote on your next project, call our Customer Support Team at 1-800-237-1326.”

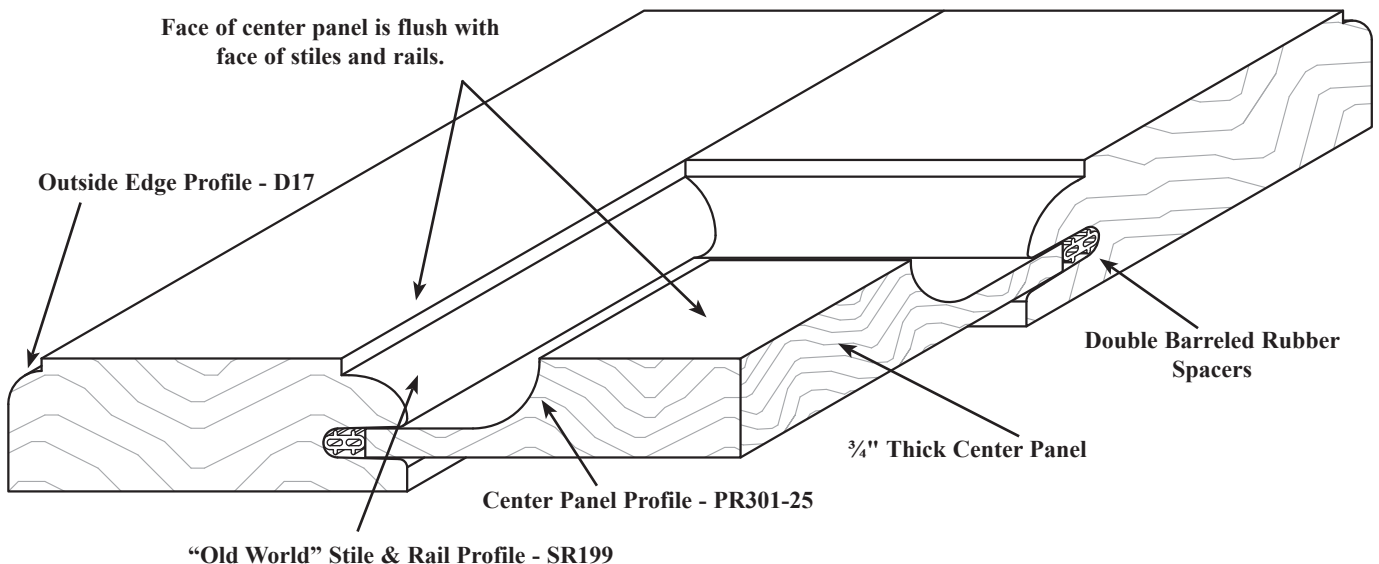
1" - “Traditional” Door Construction (Typical Construction)

Typically the stiles & rails on a 1" thick “Traditional” door will be 2¼" wide and 1" thick. The center panel is ⅝" thick and flush to the stiles & rails on the face and recessed a ¼" from the back as detailed in the illustration below. *Drawing is not to scale.*



1" - “Old World” Door Construction (Typical Construction)

Typically the stiles & rails on a 1" thick “Old World” door will be 3" wide and 1" thick. The center panel is ¾" thick and flush to the stiles & rails on the face and recessed a ¼" from the back as detailed in the illustration below. *Drawing is not to scale.*



WalzCraft[®].com



(Phone) 1-800-237-1326 7:00AM - 4:30PM CST (24 Hour Fax) 1-608-781-3667