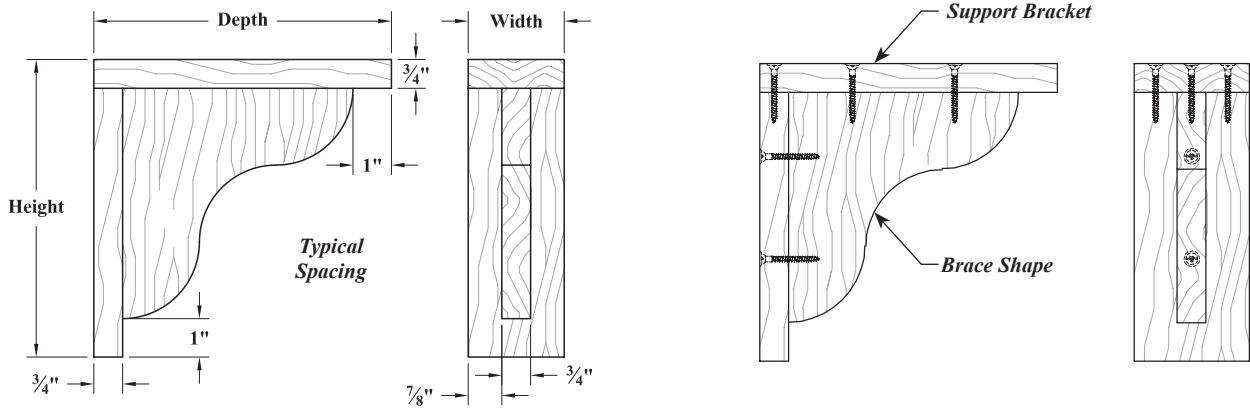
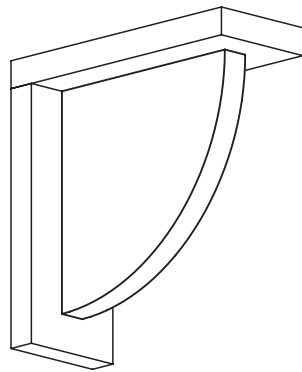


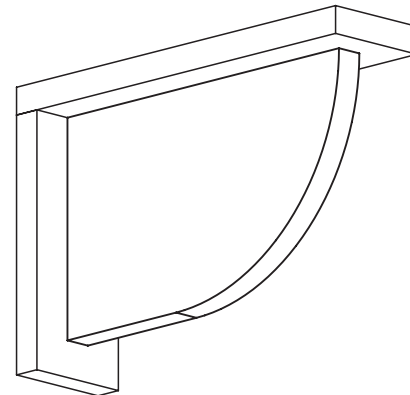
Shelf Supports Assemblies



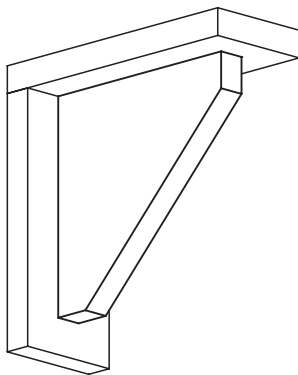
M



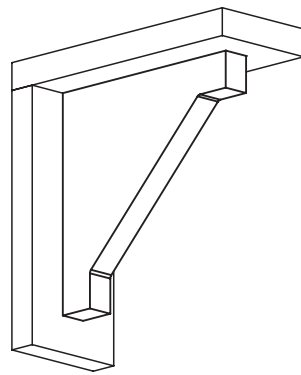
Style #1812



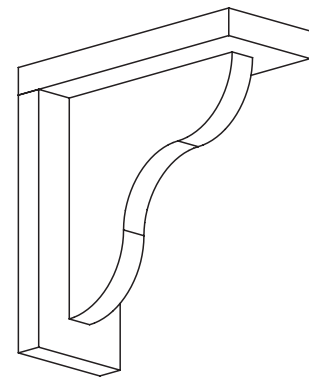
Style #1813



Style #1814



Style #1818



Style #1819

► For PRICING ► See Section M.6 in our current Wholesale Pricing Catalog.

**Ordering & Pricing Notes: Shelf Support Assemblies****Ordering Guidelines**

1	Order Forms	Please use <i>Valance and Knick Knack Order Form (E•Z Forms #6)</i> .
2	Ordering Information	Specify the part number listed under the Shelf Support for the design required.
		The width, depth and height of the complete Shelf Support must be provided, as shown in the example on the previous page.
<b>Pricing</b>		
1	Pricing	Please see <i>Section M.6</i> of our current <b>Wholesale Pricing Catalog</b> .

**Technical Notes: Shelf Support Assemblies****Finish Options (Chapter R)**

1	3D Laminate/RTF	Shelf support assemblies are not available with 3D Laminate/RTF.
---	-----------------	--

**Miscellaneous**

1	Braces	Centered on the support brackets.
		Attached with precision bored screws.

**Sizes / Dimensions**

1	Thickness	All components will be standard at 3/4" [19.1mm] thick.
---	-----------	---

► For PRICING ► See Section M.6 in our current Wholesale Pricing Catalog.